

ROCKPORT

COMMERCIAL VEHICLES



CARGOPORT | WORKPORT | ROCKPORT

RAM PRODUCTS



FOREST RIVER
TRUCK

ROCKPORTTRUCKS.COM

ROCKPORT CARGO PORT



LOWEST FLOOR HEIGHT IN THE INDUSTRY

The Cargoport focuses on a flexible, well-constructed box with the lowest entry height, multiple side and rear door configurations, and optional shelving and cargo control packages.



*Image shown with optional equipment.



USABLE LENGTH
10' - 15'



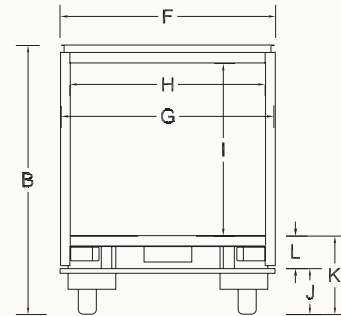
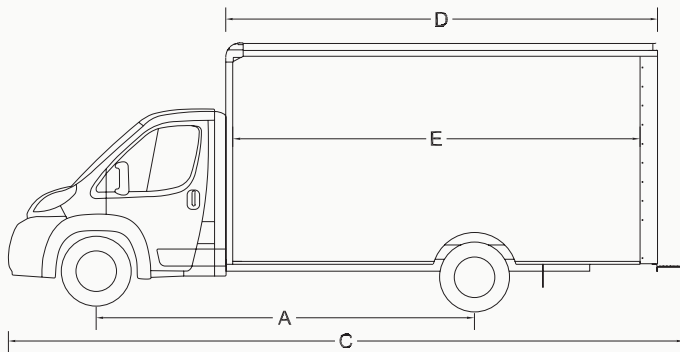
FULL WIDTH
ROLL UP



PACKAGE
DELIVERY

POPULAR OPTIONS:

- Side Entry Door
(Sliding, Swing)
- Rocktop
(Walkthrough Wind Fairing)
- Swing Rear Doors
- Shelving or E-Track
- Various Rear Bumper Options
- Back Up Camera & Back Up Sonar *(Regular, 360)*



BODY SIZE	10' SRW	12' SRW	12' SRW	14' SRW	15' SRW
Interior Height	6' 6"	6' 6"	6' 6"	6' 6"	6' 6"
A. Wheel Base	136"	136"	159"	159"	159"
B. Body Height	113"	113"	113"	113"	113"
C. Truck Length	19' 6"	21' 6"	21' 6"	23' 6"	24' 6"
D. Overall Body Length	11'	13'	13'	15'	16'
E. True Body Length	10'	12'	12'	14'	15'
F. Body Width	90"	90"	90"	90"	90"
G. Load Width	89"	89"	89"	89"	89"
H. Door Opening Width	81.88"	81.88"	81.88"	81.88"	81.88"
I. Door Opening Height	72.5"	72.5"	72.5"	72.5"	72.5"
J. Ground to Bumper	17.68"	17.68"	17.68"	17.68"	17.68"
K. Ground to Floor	33"	33"	33"	33"	33"
L. Bumper to Floor	15.25"	15.25"	15.25"	15.25"	15.25"
M. Front Usable Space	57.5"	57.5"	80"	80"	80"
N. Rear Usable Space	25.5"	49.5"	26.5"	52"	64"



WHY CARGO PORT?

- 1 Value Focused:** Offering quality and productivity at a competitive investment.

- 2 Efficiency:** Fiberglass cab roof wind fairing allows for maximum cab height for allowing passthrough from cab to cargo area.

- 3 Clean Exterior:** One piece smooth sidewalls provides maximum surface area and ease of installing graphics.

- 4 Low Step-In Height:** Reduces fatigue and injuries.



5 **Customizable:** Multiple cargo control, safety, and productivity options available turn-key.

6 **Flexible:** Available with multiple side and rear door configurations to best match your needs.

7 **Replacement Parts:** Factory parts readily available to reduce down time.

ROCKPORT WORKPORT



ENCLOSED SERVICE BODY; RUGGED INSIDE AND OUT

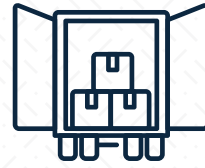
Your mobile workshop with stand-up interior height, heavy-duty door hinges, integrated rear access ladders, and exterior compartments. Customize it to fit your needs, with optional compartment power locks to secure your equipment at the push of a button.



*Image shown with optional equipment.



USABLE LENGTH
10' - 12'



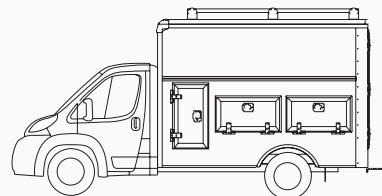
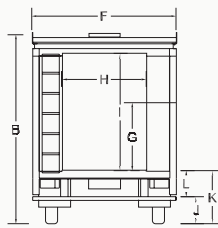
70/30 SWING DOORS



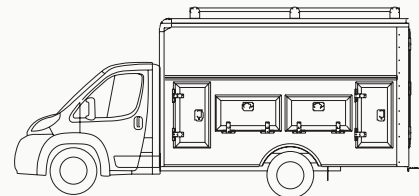
EQUIPMENT STORAGE

POPULAR OPTIONS:

- Rocktop
(Walkthrough Wind Fairing)
- Exterior Work Lights
- Strobe Lights
- Interior Adjustable Shelving
- Class III or IV Hitch
- Full Exterior Door Power Locks
- Back Up Camera & Back Up Sonar *(Regular, 360)*

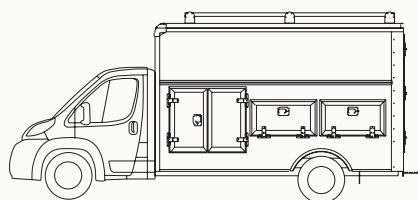


10-FT

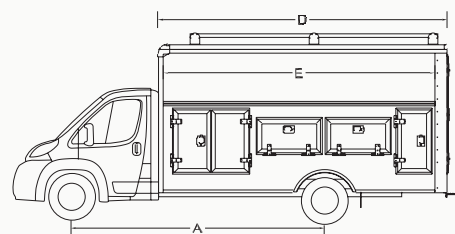


12-FT

BODY SIZE	10' SRW	12' SRW	12' SRW
Interior Height	6' 6"	6' 6"	6' 6"
A. Wheel Base	136"	136"	159"
B. Body Height	120"	120"	120"
C. Truck Length	19' 6"	21' 6"	21' 6"
D. Overall Body Length	11'	13'	13'
E. True Body Length	10'	12'	12'
F. Body Width	90"	90"	90"
G. Compartment Height	42.5"	42.5"	42.5"
H. Compartment Depth	20.625"	20.625"	20.625"
I. Door Opening Width	49.25"	49.25"	49.25"
J. Door Opening Height	71.25"	71.25"	71.25"
K. Ground to Bumper	15.25"	15.25"	15.25"
L. Ground to Floor	29"	29"	29"
M. Bumper to Floor	13.75"	13.75"	13.75"



12-FT



14-FT



WHY WORKPORT?

- 1 Value:** Quality design and workmanship delivered timely.

- 2 Flexibility:** Body compatible with most cab and cutaway chassis manufacturers.

- 3 Customizable:** Available with multiple safety, storage, lighting, and productivity options.

- 4 Work Ready:** Available from factory with optional exterior compartment shelving, bin storage, and drawer packages.



5 **Roof Access:** Roof storage and access options available.

6 **Flexible:** Available with multiple side and rear door configurations to best match your needs.

7 **Towing:** Multiple rear bumper and hitch options available to suit your towing needs.

8 **Replacement Parts:** Factory parts readily available to minimize down time.

ROCKPORT ROCKPORT



QUALITY OPTIONS COME STANDARD

Every Rockport body is engineered with industry-leading innovations, raising the bar with features like Aluminum or FRP construction, Aluminum or Translucent roofing, and a range of durable flooring options — including Laminated Hardwood, Extruded Aluminum, Marine-Grade Plywood, and Steel or Aluminum Treadplate overlays.



*Image shown with optional equipment.



USABLE LENGTH
9' 10" - 14' 10"



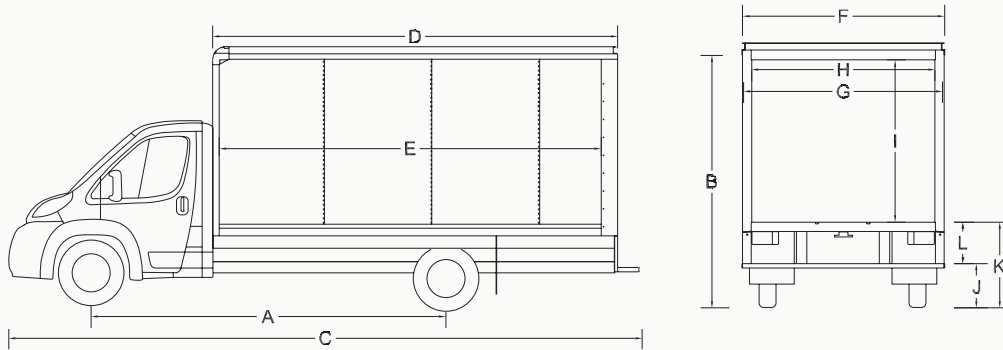
FULL WIDTH ROLL UP



FREIGHT DELIVERY

POPULAR OPTIONS:

- Rocktop
(Walkthrough Wind Fairing)
- Liftgates or Ramps
- E-Track & Protective Scuff Liner
- Sidewall Loading Doors
- Swing Rear Doors
- Back Up Camera & Back Up Sonar *(Regular, 360)*



BODY SIZE	10' SRW	12' SRW	14' SRW	15' SRW	15' SRW
Interior Height	6' 6"	6' 6"	6' 6"	6' 6"	7'
A. Wheel Base	136"	136"	159"	159"	159"
B. Body Height	118"	118"	118"	118"	124"
C. Truck Length	19' 6"	21' 6"	23' 6"	24' 6"	24' 6"
D. Overall Body Length	11'	13'	15'	16'	16'
E. True Body Length	9' 10"	11' 10"	13' 10"	14' 10"	14' 10"
F. Body Width	90"	90"	90"	90"	90"
G. Load Width - ALUM	86.67"	86.67"	86.67"	86.67"	86.67"
H. Load Width - FRP	89.25"	89.25"	89.25"	89.25"	89.25"
I. Door Opening Width	82"	82"	82"	82"	82"
J. Door Opening Height	78.5"	78.5"	78.5"	78.5"	78.5"
K. Ground to Bumper	20"	20"	20"	20"	20"
L. Ground to Floor	38"	38"	38"	38"	38"
M. Bumper to Floor	18.125"	18.125"	18.125"	18.125"	18.125"

READY TO WORK

Since 2002, Rockport Commercial Vehicles has focused on one clear goal — creating superior commercial vehicles. We know one size doesn't fit all, which is why we offer the industry's most extensive selection of chassis and body configurations. Every vehicle is designed with your business in mind, delivering customized solutions that keep you ready to work.



CARGOPORT



WORKPORT



ROCKPORT



To learn more about Rockport Commercial Vehicles and our products, and see how Rockport is delivering a higher standard, contact us today.

Call us at (888) 711-1600 or visit rockporttrucks.com

ROCKPORT

COMMERCIAL VEHICLES

ROCKPORT COMMERCIAL VEHICLE DIVISION

914 County Road 1, Elkhart, IN 46514

193 Industrial Drive, Ocilla, GA 31774

Toll Free: 888-711-1600 Fax: 574-295-3974

www.rockporttrucks.com



LEARN MORE:

Scan this QR code with your mobile device to learn more about Forest River.



FOREST RIVER

A Berkshire Hathaway Company

All information contained in this brochure is believed to be accurate at the time of publication. However, during any model year, it may be necessary to make changes to the manufacturing process of the units and information in this brochure. Your unit may differ from the information in this brochure due to any changes in the manufacturing process and equipment. Forest River, Inc., reserves the right to make all such changes without notice, including prices, colors, combinations, materials, equipment and specifications of any model as well as the addition of new models and the discontinuance of models shown in this brochure. Therefore, please consult with your Forest River dealer and confirm the availability of any materials, combinations, designs, or specifications that are meaningful to your purchase decision. © 2025 Rockport Commercial Vehicles, a Division of Forest River, Inc., a Berkshire Hathaway Company. All Rights Reserved. Forest River, Inc. 02/25