

# ROCKPORT

COMMERCIAL VEHICLES



CARGOPORT | WORKPORT | ROCKPORT | PARCELPORTRUCKS.COM

# FORD E-SERIES PRODUCTS



**FOREST RIVER**  
TRUCK

[ROCKPORTTRUCKS.COM](http://ROCKPORTTRUCKS.COM)

# ROCKPORT CARGO PORT



## LOWEST FLOOR HEIGHT IN THE INDUSTRY

The Cargoport focuses on a flexible, well-constructed box with the lowest entry height, multiple side and rear door configurations, and optional shelving and cargo control packages.



\*Image shown with optional equipment.



**USABLE LENGTH**  
10' - 18'



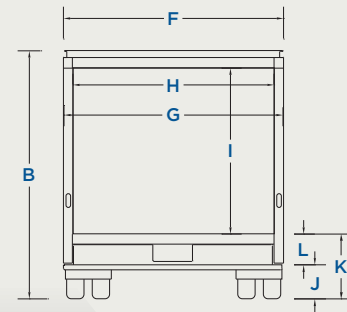
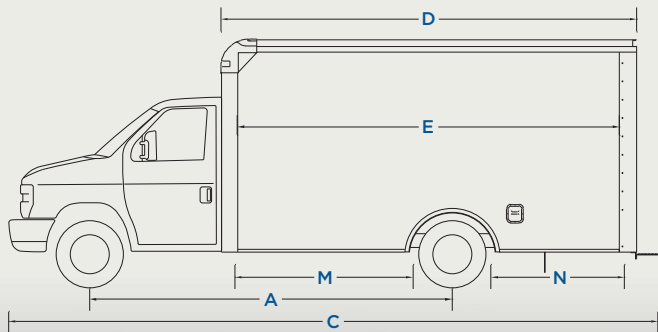
**FULL WIDTH**  
ROLL UP



**PACKAGE**  
DELIVERY

## POPULAR OPTIONS:

- Side Entry Door  
*(Sliding, Swing)*
- Rocktop  
*(Walkthrough Wind Fairing)*
- Swing Rear Doors
- Shelving or E-Track
- Various Rear Bumper Options
- Back Up Camera & Back Up Sonar *(Regular, 360)*



BODY SIZE	10' SRW	12' SRW	14' SRW	10' DRW	12' DRW	14' DRW	16' DRW	18' DRW
Interior Height	6' 6"	6' 6"	6' 6"	6' 6"	6' 6"	6' 6"	6' 6"	6' 6"
A. Wheel Base	138"	138"	158"	138"	138"   158"	158"	176"	190"
B. Body Height	111"	111"	111"	111"	111"	111"	111"	111"
C. Truck Length	19' 6"	21' 6"	23' 6"	19' 6"	21' 6"	23' 6"	25' 6"	27' 6"
D. Overall Body Length	11'	13'	15'	11'	13'	15'	17'	19'
E. True Body Length	10'	12'	14'	10'	12'	14'	16'	18'
F. Body Width	80"	80"	80"	96"	96"	96"	96"	96"
G. Load Width	78"	78"	78"	94.25"	94.25"	94.25"	94.25"	94.25"
H. Door Opening Width	71"	71"	71"	87.25"	87.25"	87.25"	87.25"	87.25"
I. Door Opening Height	72.5"	72.5"	72.5"	72.5"	72.5"	72.5"	72.5"	72.5"
J. Ground to Bumper	17.25"	17.25"	17.25"	17.25"	17.25"	17.25"	17.25"	17.25"
K. Ground to Floor	31.5"	31.5"	31.5"	31.5"	31.5"	31.5"	31.5"	31.5"
L. Bumper to Floor	14.25"	14.25"	14.25"	14.25"	14.25"	14.25"	14.25"	14.25"
M. Front Usable Space	57"	57"	75"	56"	56"   76"	75"	94"	108"
N. Rear Usable Space	31"	55"	59"	30"	54"   34"	59"	64"	74"



## WHY CARGOPORT?



- 1 Value Focused:** Offering quality and productivity at a competitive investment.
- 2 Efficiency:** Fiberglass cab roof wind fairing allows for maximum cab height for allowing passthrough from cab to cargo area.
- 3 Clean Exterior:** One piece smooth sidewalls provides maximum surface area and ease of installing graphics.
- 4 Low Step-In Height:** Reduces fatigue and injuries.
- 5 Customizable:** Multiple cargo control, safety, and productivity options available turn-key.
- 6 Flexible:** Available with multiple side and rear door configurations to best match your needs.
- 7 Replacement Parts:** Factory parts readily available to reduce down time.



## WHY WORKPORT?

- 1 Value:** Quality design and workmanship delivered timely.
- 2 Flexibility:** Body compatible with most cab and cutaway chassis manufacturers.
- 3 Customizable:** Available with multiple safety, storage, lighting, and productivity options.
- 4 Work Ready:** Available from factory with optional exterior compartment shelving, bin storage, and drawer packages.
- 5 Roof Access:** Roof storage and access options available.
- 6 Towing:** Multiple rear bumper and hitch options available to suit your towing needs.
- 7 Convenient Accessibility:** Optional key fob activated master locking system available for all exterior body doors.
- 8 Replacement Parts:** Factory parts readily available to minimize down time.

# ROCKPORT WORKPORT



## **ENCLOSED SERVICE BODY; RUGGED INSIDE AND OUT**

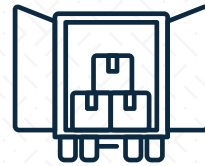
Your mobile workshop with stand-up interior height, heavy-duty door hinges, integrated rear access ladders, and exterior compartments. Customize it to fit your needs, with optional compartment power locks to secure your equipment at the push of a button.



\*Image shown with optional equipment.



**USABLE LENGTH**  
10' - 16'



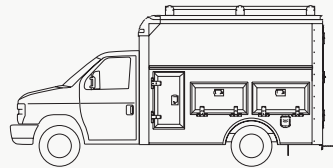
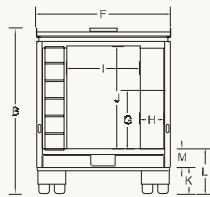
**70/30 SWING DOORS**



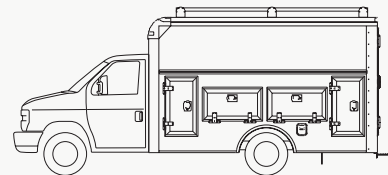
**EQUIPMENT STORAGE**

## POPULAR OPTIONS:

- Rocktop  
*(Walkthrough Wind Fairing)*
- Exterior Work Lights
- Strobe Lights
- Interior Adjustable Shelving
- Class III or IV Hitch
- Full Exterior Door Power Locks
- Back Up Camera & Back Up Sonar *(Regular, 360)*

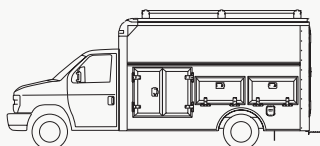


10-FT 138" WB

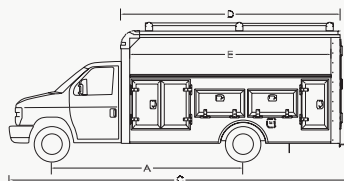


12-FT 138" WB

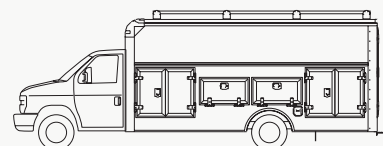
BODY SIZE	10' SRW	12' SRW	10' DRW	12' DRW	14' DRW	16' DRW
Interior Height	6' 6"	6' 6"	6' 6"	6' 6"	6' 6"	6' 6"
A. Wheel Base	138"	138"	138"	138"   158"	158"	176"
B. Body Height	118"	118"	118"	118"	118"	118"
C. Truck Length	19' 6"	21' 6"	19' 6"	21' 6"	23' 6"	25' 6"
D. Overall Body Length	11'	13'	11'	13'	15'	17'
E. True Body Length	10'	12'	10'	12'	14'	16'
F. Body Width	80"	80"	96"	96"	96"	96"
G. Compartment Height	42.5"	42.5"	42.5"	42.5"	42.5"	42.5"
H. Compartment Depth	12.125"	12.125"	20.625"	20.625"	20.625"	20.625"
I. Door Opening Width	47.5"	47.5"	47.5"	47.5"	47.5"	47.5"
J. Door Opening Height	71.5"	71.5"	71.5"	71.5"	71.5"	71.5"
K. Ground to Bumper	17.25"	17.25"	17.25"	17.25"	17.25"	17.25"
L. Ground to Floor	31.5"	31.5"	31.5"	31.5"	31.5"	31.5"
M. Bumper to Floor	14.25"	14.25"	14.25"	14.25"	14.25"	14.25"



12-FT 158" WB



14-FT 158" WB



16-FT 176" WB

# ROCKPORT ROCKPORT



## QUALITY OPTIONS COME STANDARD

Every Rockport body is engineered with industry-leading innovations, raising the bar with features like Aluminum or FRP construction, Aluminum or Translucent roofing, and a range of durable flooring options — including Laminated Hardwood, Extruded Aluminum, Marine-Grade Plywood, and Steel or Aluminum Treadplate overlays.



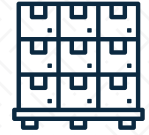
\*Image shown with optional equipment.



**USABLE LENGTH**  
9' 10" - 17' 10"



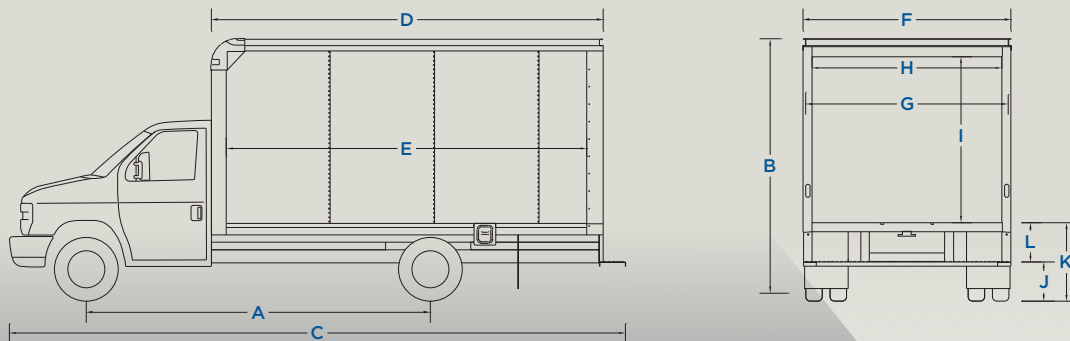
**FULL WIDTH ROLL UP**



**FREIGHT DELIVERY**

## POPULAR OPTIONS:

- Rocktop  
*(Walkthrough Wind Fairing)*
- Liftgates or Ramps
- E-Track & Protective Scuff Liner
- Sidewall Loading Doors
- Swing Rear Doors
- Back Up Camera & Back Up Sonar *(Regular, 360)*



BODY SIZE	10' SRW	12' SRW	14' SRW	12' DRW	14' DRW	15' DRW	16' DRW	17' DRW	18' DRW
Interior Height	7'	7'	7'	7'	7'	7'	7'	7'	7'
A. Wheel Base	138"	138"	158"	138"   158"	158"	158"	176"	176"	190"
B. Body Height	127"	127"	127"	127"	127"	127"	127"	127"	127"
C. Truck Length	19' 7"	21' 7"	23' 7"	21' 7"	23' 7"	24' 7"	25' 7"	26' 7"	27' 7"
D. Overall Body Length	11'	13'	15'	13'	15'	16'	17'	18'	19'
E. True Body Length	9' 10"	11' 10"	13' 10"	11' 10"	13' 10"	14' 10"	15' 10"	16' 10"	17' 10"
F. Body Width	80"	80"	80"	96"	96"	96"	96"	96"	96"
G. Load Width	76.25"	76.25"	76.25"	92.25"	92.25"	92.25"	92.25"	92.25"	92.25"
H. Door Opening Width	71"	71"	71"	87.25"	87.25"	87.25"	87.25"	87.25"	87.25"
I. Door Opening Height	78.5"	78.5"	78.5"	78.5"	78.5"	78.5"	78.5"	78.5"	78.5"
J. Ground to Bumper	21"	21"	21"	21"	21"	21"	21"	21"	21"
K. Ground to Floor	42"	42"	42"	42"	42"	42"	42"	42"	42"
L. Bumper to Floor	21"	21"	21"	21"	21"	21"	21"	21"	21"

\*\* New Height Dimensions (B, J, K, L) for 2027 Model Year E-Series Chassis Updates \*\*

# ROCKPORT PARCELPORT



## **MAXIMIZED SPACE AND EASY ACCESS WITH LOWERED REAR DECK**

Designed with direct input from the industry, the Parcelport is built for seamless parcel delivery. Standout features include a translucent roof for enhanced interior lighting, versatile side and rear door options, durable rubberized flooring, and an exclusive 29" aluminum rear drop floor, making entry and exit easier than ever.



\*Image shown with optional equipment.



**USABLE LENGTH**  
12' - 16'



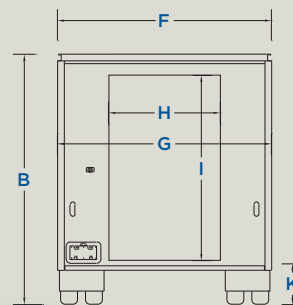
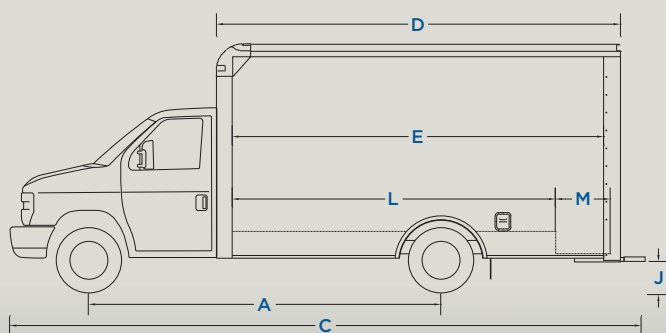
**50" WIDTH**  
ROLL UP



**PACKAGE DELIVERY**

## POPULAR OPTIONS:

- Side Entry Door  
*(Sliding, Swing)*
- Swing Rear Doors
- Shelving or E-Track
- Back Up Camera & Back Up Sonar *(Regular, 360)*



BODY SIZE	12' SRW	14' SRW	14' DRW	16' DRW
Interior Height	6' 6"	6' 6"	6' 6"	6' 6"
A. Wheel Base	138"	158"	158"	176"
B. Body Height	111"	111"	111"	111"
C. Truck Length	21' 6"	23' 6"	23' 6"	25' 6"
D. Overall Body Length	13'	15'	15'	17'
E. True Body Length	12'	14'	14'	16'
F. Body Width	80"	80"	96"	96"
G. Load Width	78"	78"	94.25"	94.25"
H. Door Opening Width	50"	50"	50"	50"
I. Door Opening Height	81.5"	81.5"	81.5"	81.5"
J. Ground to Bumper	18.5"	18.5"	18.5"	18.5"
K. Ground to Floor	21.5"	21.5"	21.5"	21.5"
L. Main Floor	10'	12'	12'	14'
M. Drop Floor	2' 2"	2' 2"	2' 2"	2' 2"

# READY TO WORK

Since 2002, Rockport Commercial Vehicles has focused on one clear goal — creating superior commercial vehicles. We know one size doesn't fit all, which is why we offer the industry's most extensive selection of chassis and body configurations. Every vehicle is designed with your business in mind, delivering customized solutions that keep you ready to work.



CARGOPORT



WORKPORT



ROCKPORT



PARCELPOR



To learn more about Rockport Commercial Vehicles and our products, and see how Rockport is delivering a higher standard, contact us today.

Call us at (888) 711-1600 or visit [rockporttrucks.com](http://rockporttrucks.com)

# ROCKPORT

COMMERCIAL VEHICLES

**ROCKPORT COMMERCIAL VEHICLE DIVISION**

**914 County Road 1, Elkhart, IN 46514**

**193 Industrial Drive, Ocilla, GA 31774**

**Toll Free: 888-711-1600 Fax: 574-295-3974**

**[www.rockporttrucks.com](http://www.rockporttrucks.com)**



## LEARN MORE:

Scan this QR code with your mobile device to learn more about Forest River.



**FOREST RIVER**

A Berkshire Hathaway Company

All information contained in this brochure is believed to be accurate at the time of publication. Depictions of models contained in this brochure are for illustrative purposes only. Actual product may vary from the information in this brochure due to changes in the manufacturing process and equipment. Forest River, Inc., reserves the right to make any changes without notice, including prices, colors, combinations, materials, equipment, and specifications of any model as well as the addition of new models and the discontinuance of models shown in this brochure. Therefore, please consult with your Forest River dealer and confirm the availability of any materials, combinations, designs, or specifications that are meaningful to your purchase decision. © 2026 Rockport, a Division of Forest River, Inc., a Berkshire Hathaway Company. All Rights Reserved. Forest River, Inc. 06/26