

ROCKPORT

COMMERCIAL VEHICLES

ROCKPORT ALUMINUM SHEET & POST



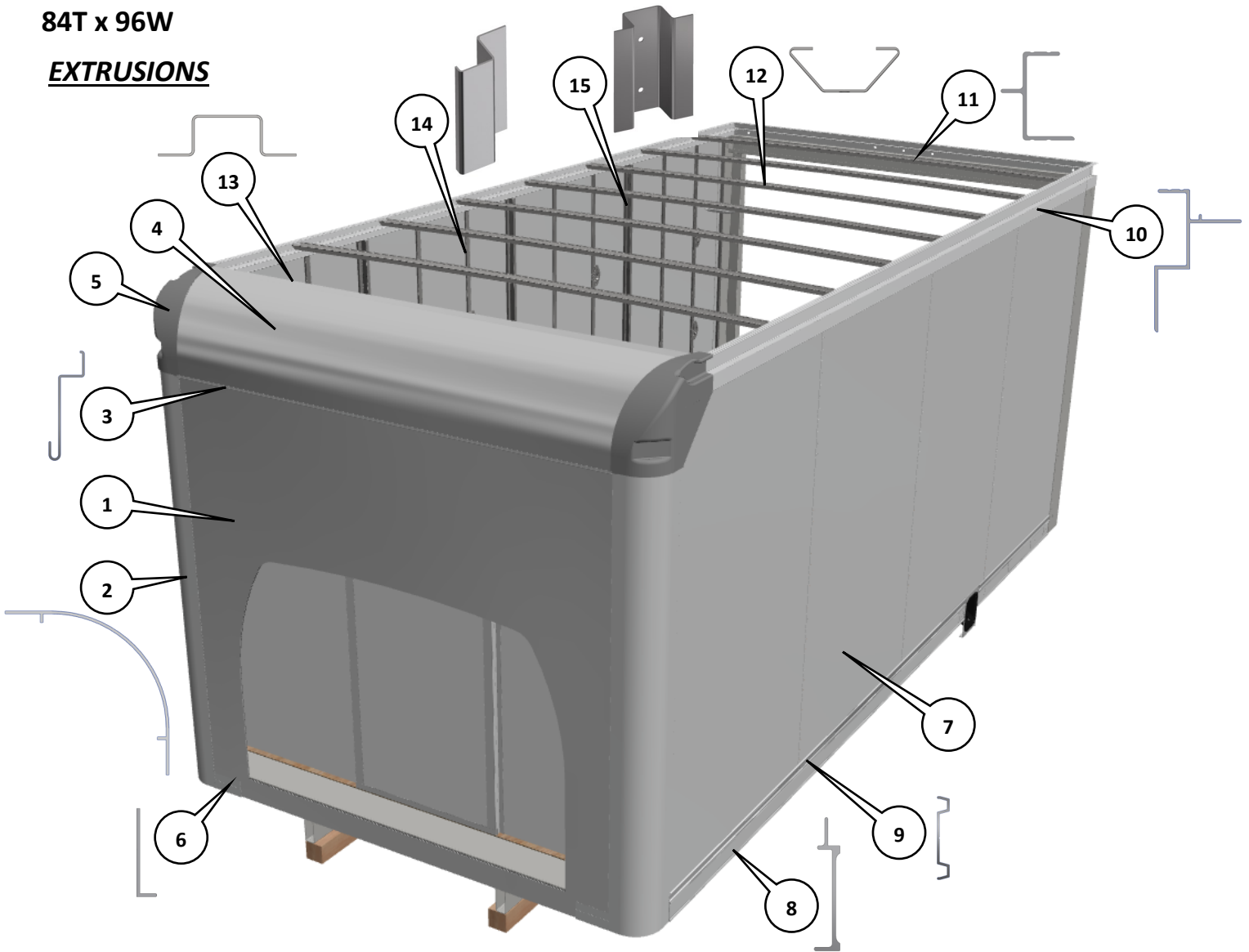
FOREST RIVER
TRUCK

ROCKPORTTRUCKS.COM

ROCKPORT ALUMINUM SHEET & POST - CUTAWAY

84T x 96W

EXTRUSIONS



ITEM	DESCRIPTION	QTY	PART NUMBER
1	FRONT WALL PANEL *	1	VARIES - VEHICLE SPECIFIC VIN
3	FRONT CORNER POST *	2	7003 ALUMINUM EXTRUSION
3	FRONT RADIUS DRIP RAIL *	1	7012 ALUMINUM EXTRUSION
4	12" FRONT RADIUS *	1	A0200005
5	FRONT WALL CORNER CAP *	1 PAIR	P0200017 & P0200018
6	FRONT WALL CORNER L-ANGLE	2	7006 ALUMINUM EXTRUSION
7	48" WIDE SIDEWALL SHEET - .040 *	AS REQ'D	A0200001
8	BASE RAIL	2	7008 ALUMINUM EXTRUSION
9	RUB RAIL	2	5065 ALUMINUM EXTRUSION
10	ROOF TOP RAIL - SIDE	2	7005 ALUMINUM EXTRUSION
11	ROOF TOP RAIL - REAR	1	7001 ALUMINUM EXTRUSION
12	ROOF BOW	AS REQ'D	S0200014
13	FRONT ROOF BOW	1	S0200015
14	SIDEWALL Z-POST	AS REQ'D	S0200016
15	SIDEWALL HAT SECTION	AS REQ'D	S0200037

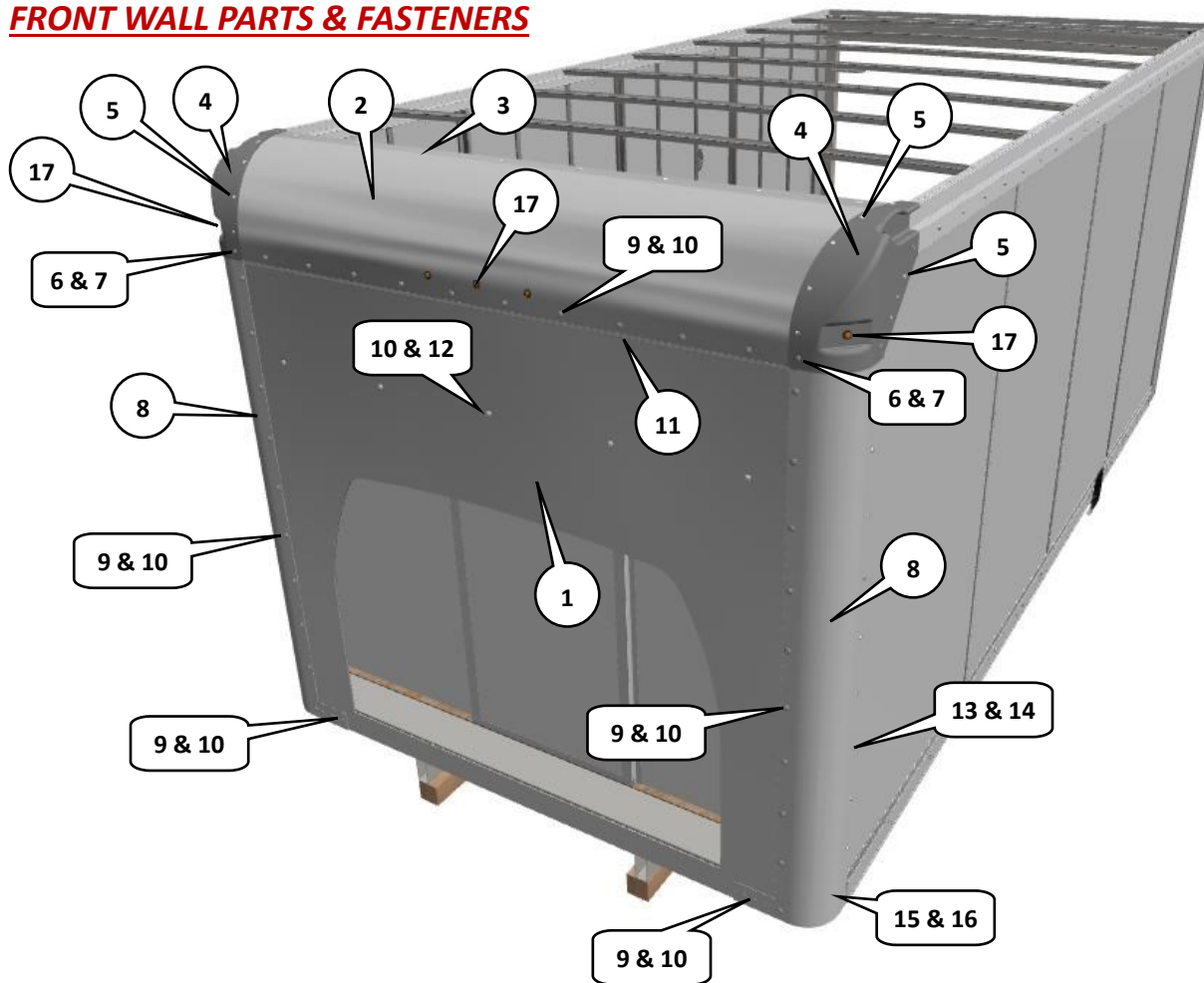
* PART WILL DIFFER DEPENDING ON WIDE BODY & NARROW BODY WIDTH AND / OR HEIGHT

ROCKPORT ALUMINUM SHEET & POST - CUTAWAY



84T x 96W

FRONT WALL PARTS & FASTENERS



ITEM	DESCRIPTION	QTY	PART NUMBER
1	FRONT WALL PANEL *	1	VIN SPECIFIC
2	FRONT WALL TOP RADIUS *	1	A0200005
3	3/16 POP RIVET	8	F0200006
4	ROOF CORNER CAP - LEFT & RIGHT *	1 PAIR	P0200017 & 18
5	1/4 x 3/4 MAGNA-LOK	10 PER CAP	F0200059
6	1/4-20 x 13/16 BOLT	2 PER CAP	F0200008
7	1/4 -20 STEEL T-NUT	2 PER CAP	F0200002
8	RADIUS CORNER POST *	2	7003 ALUMINUM EXTRUSION
9	1/4-20 X 5/16 RIBBED T-NUT - GRAY	32	F2100217
10	1/4-20 X 310/330 TRUSS WASHER	37	F2100218
11	FRONT DRIP RAIL	1	7012 ALUMINUM EXTRUSION
12	1/4-20-X 5/16 RIBBED T-NUT - WHITE	5	F1500183
13	1/4 HUCK PIN	18	F0200024
14	1/4 HUCK C6L LOCK BOLT COLLAR	18	F0200025
15	3/8 - 16 X 1 S/S 18-8 TRUSS	2	F0200053
16	3/8 - 16 CASE HARDENED STEEL HEX SERRATED FLANGE NUT	2	F0200054
17	AMBER CLEARANCE LIGHT & GROMMET	5 EA	S37-AAS9V-1

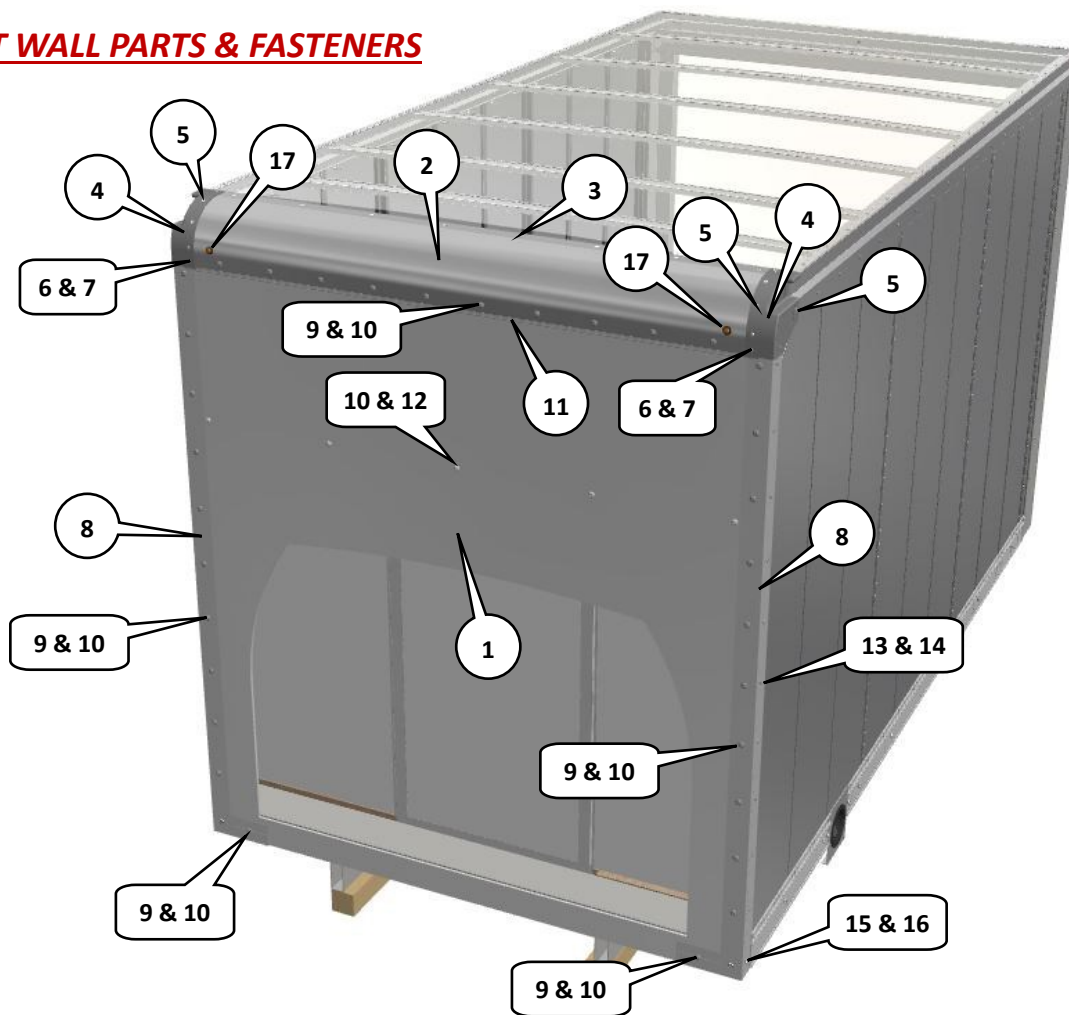
* PART WILL DIFFER DEPENDING ON WIDE BODY & NARROW BODY WIDTH AND / OR HEIGHT

ROCKPORT ALUMINUM SHEET & POST - CUTAWAY



84T x 80W

FRONT WALL PARTS & FASTENERS

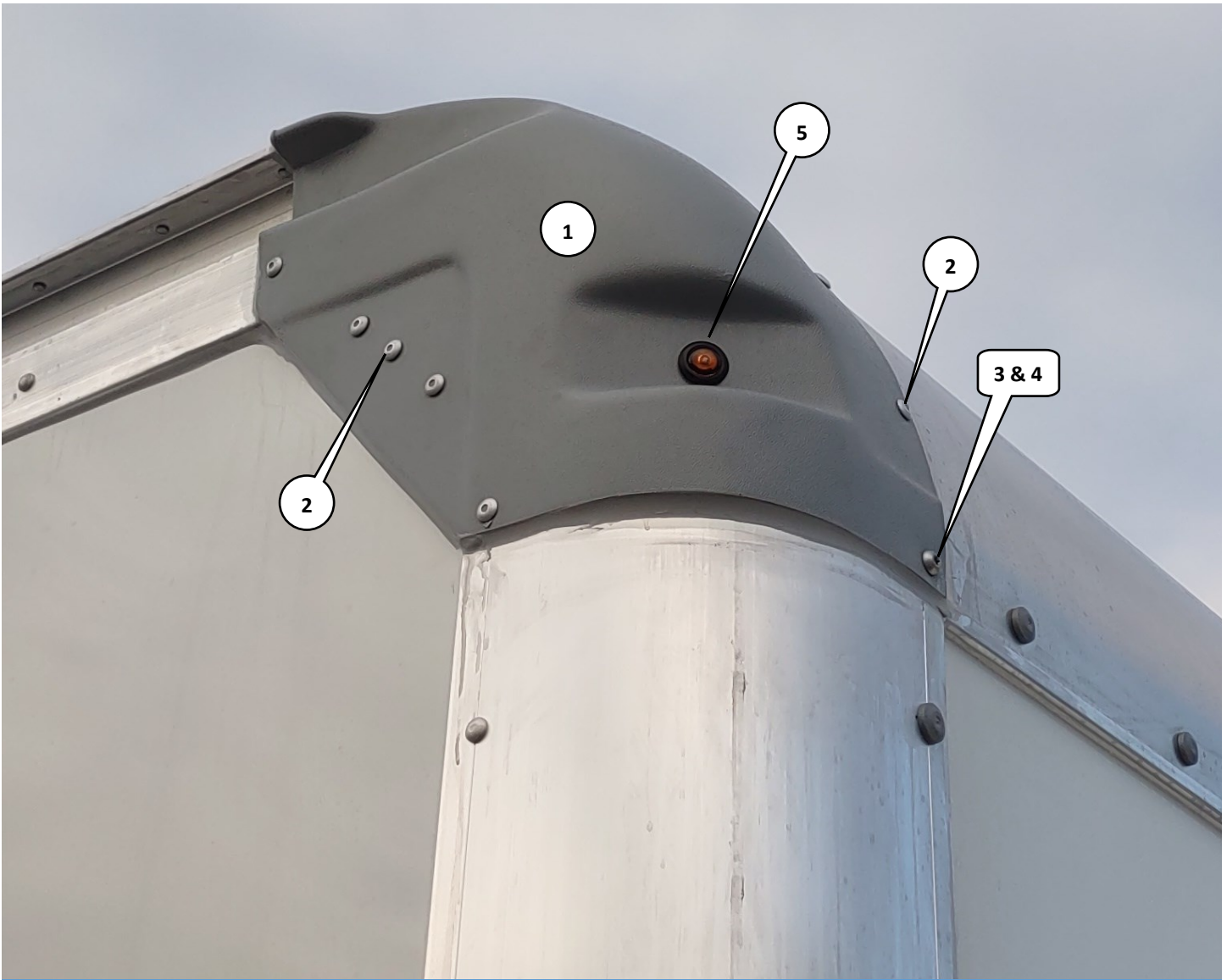


ITEM	DESCRIPTION	QTY	PART NUMBER
1	FRONT WALL PANEL *	1	VIN SPECIFIC
2	FRONT WALL TOP RADIUS *	1	A0200005
3	3/16 POP RIVET	8	F0200006
4	ROOF CORNER CAP - LEFT & RIGHT *	1 PAIR	P0200037 & 67
5	1/4 x 3/4 MAGNA-LOK	10 PER CAP	F0200059
6	1/4-20 x 1/2 GR5 TORX FRP BOLT W/CAD SEAL	2 PER CAP	F0200043
7	1/4 -20 STEEL T-NUT	2 PER CAP	F0200002
8	RADIUS CORNER POST *	2	5023 ALUMINUM EXTRUSION
9	1/4-20 X 5/16 RIBBED T-NUT - GRAY	34	F2100217
10	1/4-20 X 310/330 TRUSS WASHER	39	F2100218
11	FRONT DRIP RAIL	1	7012 ALUMINUM EXTRUSION
12	1/4-20-X 5/16 RIBBED T-NUT - WHITE	5	F1500183
13	1/4 HUCK PIN	20	F0200024
14	1/4 HUCK C6L LOCK BOLT COLLAR	20	F0200025
15	3/8 - 16 X 1 S/S 18-8 TRUSS	2	F0200053
16	3/8 - 16 CASE HARDENED STEEL HEX SERRATED FLANGE NUT	2	F0200054
17	AMBER CLEARANCE LIGHT & GROMMET	5 EA	S37-AAS9V-1

* PART WILL DIFFER DEPENDING ON WIDE BODY & NARROW BODY WIDTH AND / OR HEIGHT

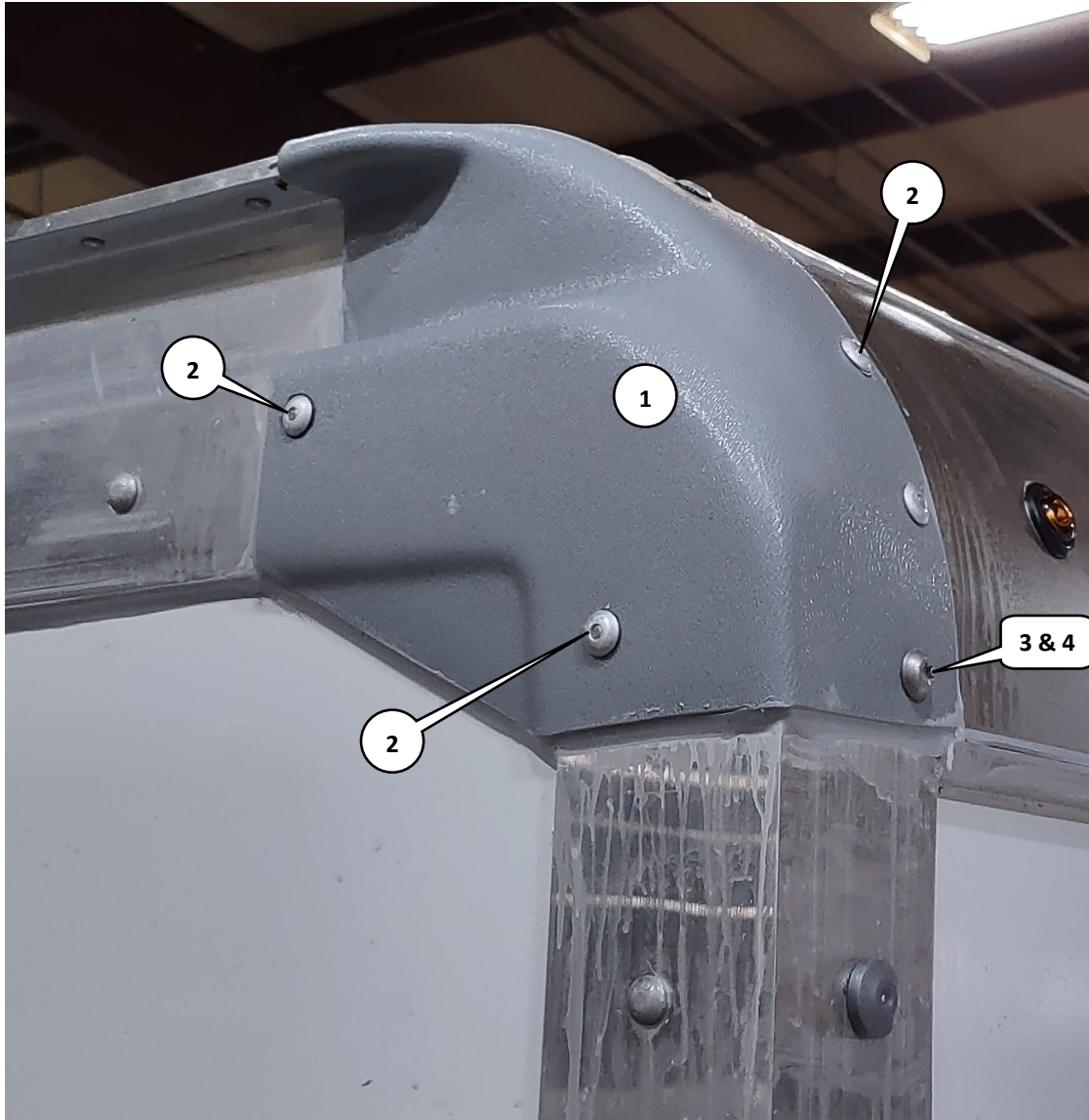
84T x 96W

FRONT WALL PARTS & FASTENERS - FRONT CORNER CAP



ITEM	DESCRIPTION	QTY	PART NUMBER
1	ROOF CORNER CAP - LEFT & RIGHT	1 PAIR	P0200017 & 18
2	1/4 x 3/4 MAGNA-LOK	10 PER CAP	F0200059
3	1/4-20 x 13/16 BOLT	1 PER CAP	F0200008
4	1/4 -20 STEEL T-NUT	1 PER CAP	F0200002
5	AMBER CLEARANCE LIGHT & GROMMET	1 PER CAP	S37-AAS9V-1

FRONT WALL PARTS & FASTENERS - FRONT CORNER CAP



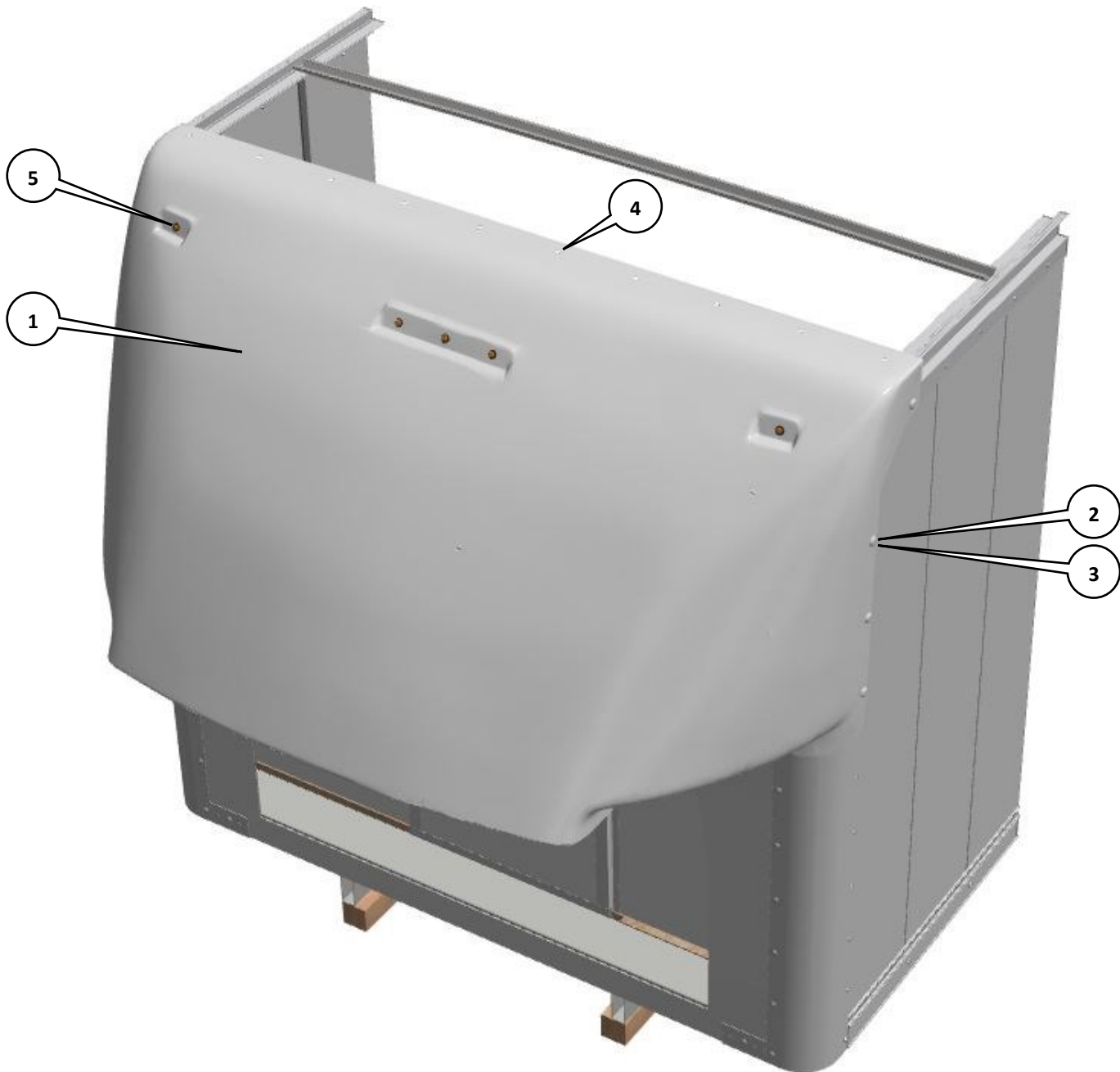
ITEM	DESCRIPTION	QTY	PART NUMBER
1	ROOF CORNER CAP - LEFT & RIGHT	1 PAIR	P0200037 & 67
2	1/4 x 3/4 MAGNA-LOK	6 PER CAP	F0200059
3	1/4-20 x 1/2 GR5 TORX FRP BOLT W/CAD SEAL	1 PER CAP	F0200043
4	1/4 -20 STEEL T-NUT	1 PER CAP	F0200002

ROCKPORT ALUMINUM SHEET & POST - CUTAWAY

84T x 96W



ROCKTOP & FASTENERS



ITEM	DESCRIPTION	QTY	PART NUMBER
1	FIBERGLASS ROCKTOP *	1	VIN SPECIFIC
2	5/16-18 x 1/2 WHITE ENCAPSULATED T-NUT	8	F0400109
3	5/16 - 18 X 3/4 STEEL ROUND WASHER 6-LOBE M/S ZINC W/ PRECOTE 80	8	F0200077
4	3/16 POP RIVET ALUM .500 - .781 GRIP RANGE	10	F0200007 - WIDE BODY
5	AMBER CLEARANCE LIGHT & GROMMET	5	S37-AAS9V-1

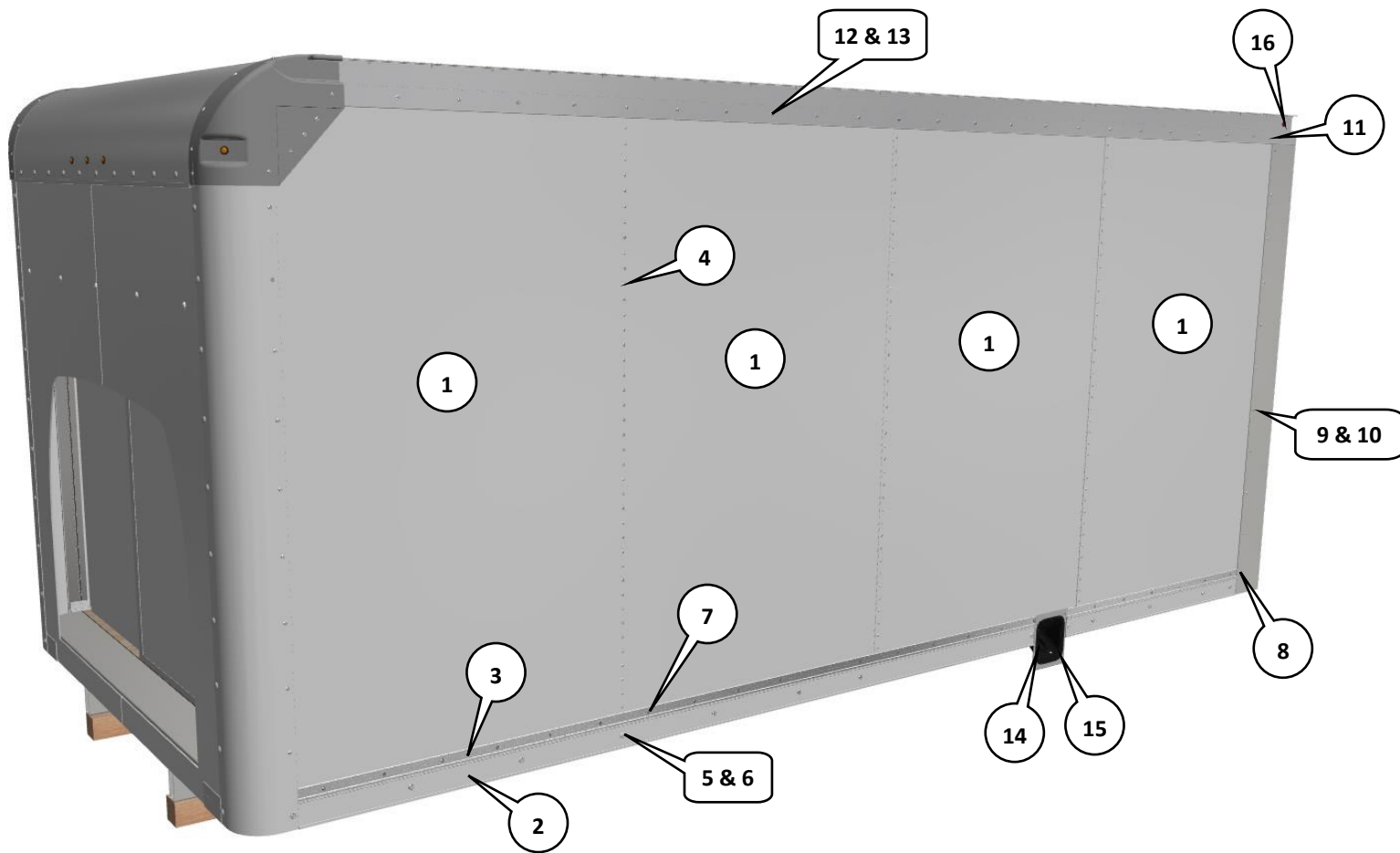
* PART WILL DIFFER DEPENDING ON WIDE BODY & NARROW BODY WIDTH AND / OR HEIGHT

ROCKPORT ALUMINUM SHEET & POST - CUTAWAY

84T x 96W



SIDEWALL PARTS & FASTENERS



ITEM	DESCRIPTION	QTY	PART NUMBER
1	48" WIDE ALUMINUM SIDEWALL SHEET *	VIN SPECIFIC	VIN SPECIFIC
2	BASE RAIL	1 PER SIDE	7008 ALUMINUM EXTRUSION
3	RUB RAIL (BUB TRIM)	1 PER SIDE	5065 ALUMINUM EXTRUSION
4	3/16 x 3/8 ALUMINUM BRAZIER RIVET	VIN SPECIFIC	F0200045
5	3/8 - 16 X 1 S/S 18-8 TRUSS	VIN SPECIFIC	F0200053
6	3/8 - 16 CASE HARDENED STEEL HEX SERRATED FLANGE NUT	VIN SPECIFIC	F0200054
7	1/4 MAGNA-LOK STEEL BLIND FASTENER	VIN SPECIFIC	F0200021
8	1/4 MAGNA-LOK STEEL BLIND FASTENER	1 PER SIDE - BOTTOM	F0200020
9	1/4 HUCK PIN - LOCK BOLT	VIN SPECIFIC	F0200024
10	1/4 HUCK C6L LOCK BOLT COLLAR	VIN SPECIFIC	F0200025
11	1/4-20 x 13/16 GR5 TORX BOLT	1 PER SIDE - TOP	F0200008
12	1/4 HUCK PIN - LOCK BOLT	VIN SPECIFIC	F0200024
13	1/4 HUCK C6L LOCK BOLT COLLAR	VIN SPECIFIC	F0200025
14	8-18 x 1 S/S T.410 PAN PHIL 2PT DRILL SCREW W/ BI-WAX	VIN SPECIFIC	F0200035
15	FUEL FILL DISH	1	VIN SPECIFIC
16	RED CLEARANCE LIGHT & GROMMET	1 EA - IN CORNER	S37-RRS9V-1

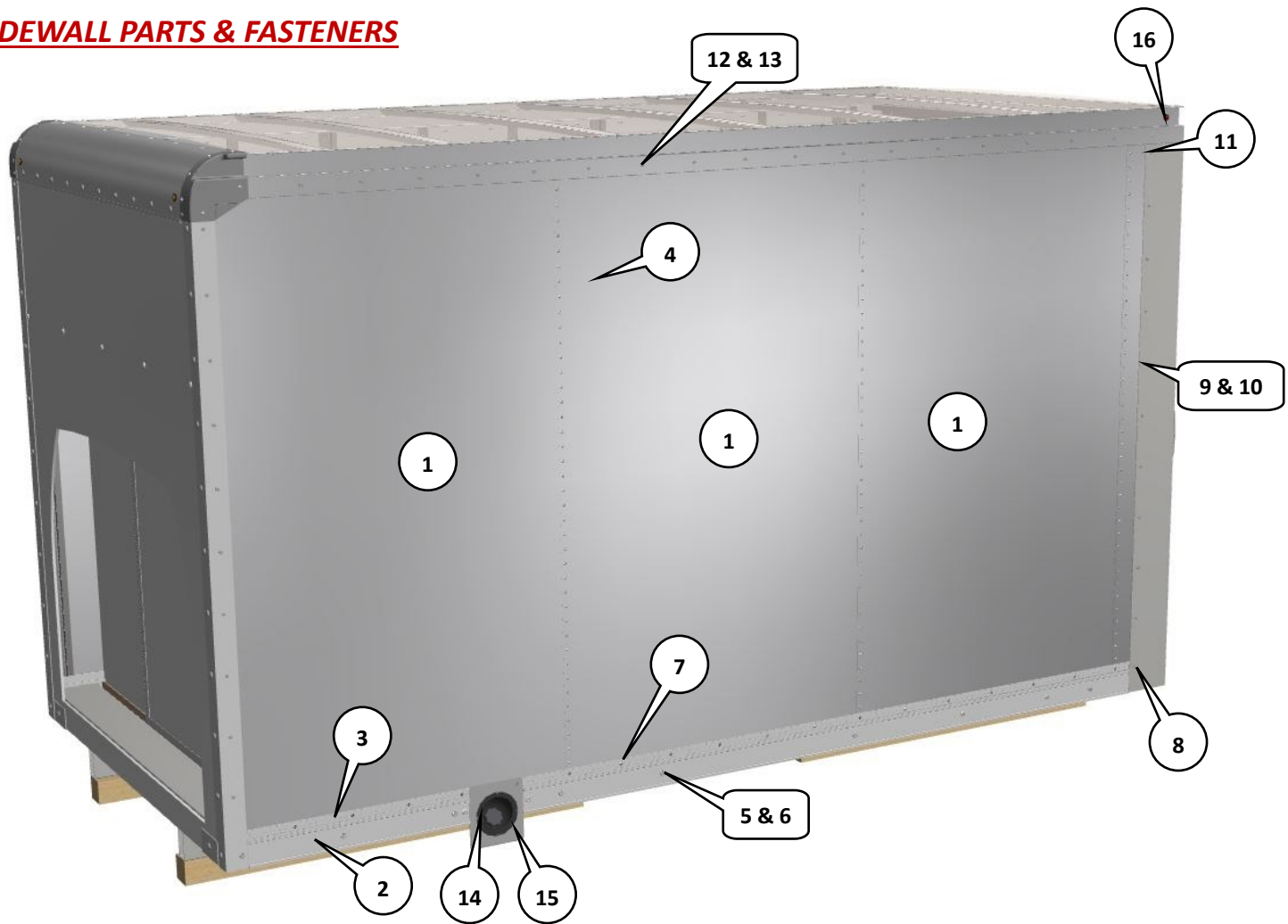
* PART WILL DIFFER DEPENDING ON WIDE BODY & NARROW BODY WIDTH AND / OR HEIGHT

ROCKPORT ALUMINUM SHEET & POST - CUTAWAY



84T x 80W

SIDEWALL PARTS & FASTENERS

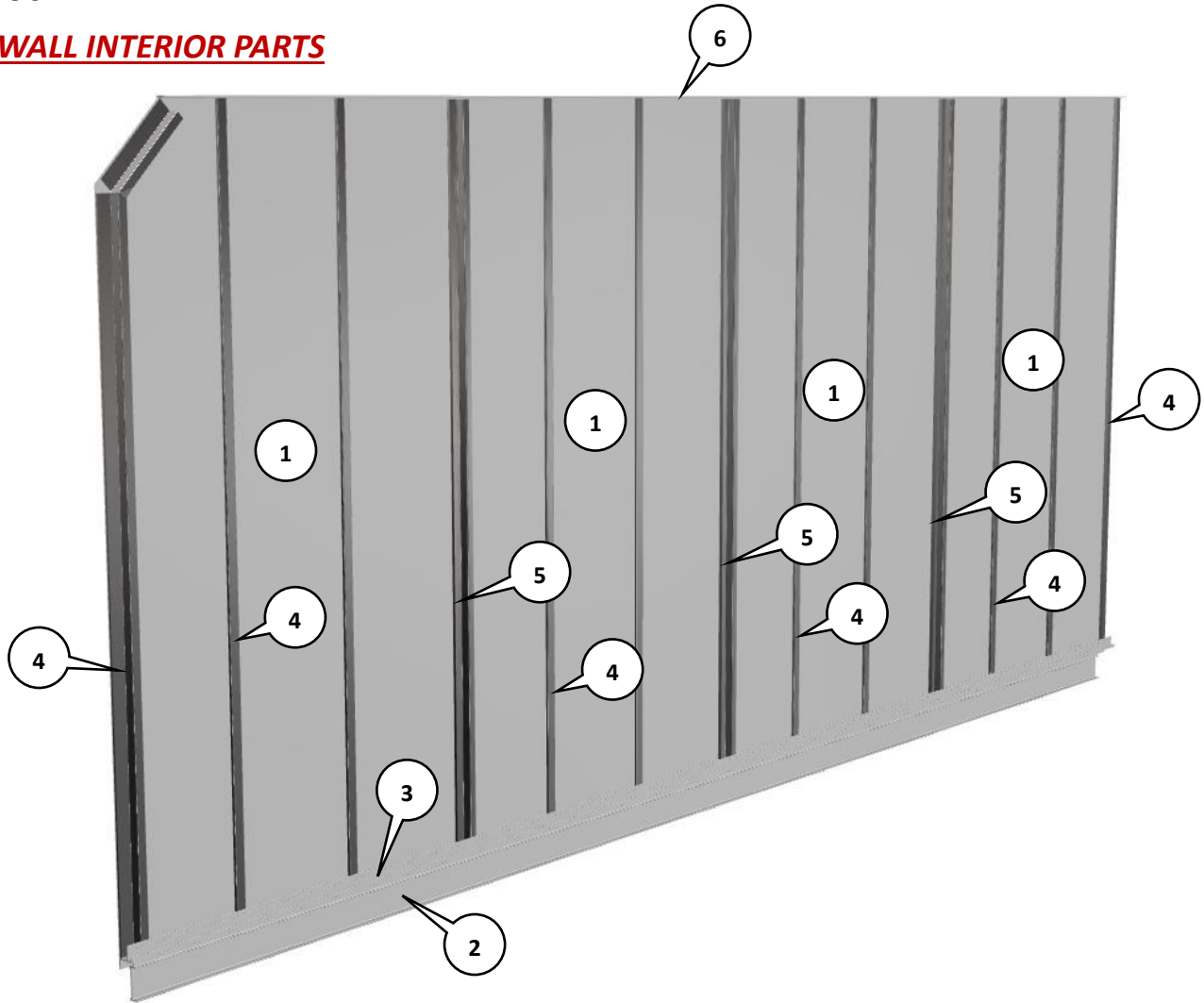


ITEM	DESCRIPTION	QTY	PART NUMBER
1	48" WIDE ALUMINUM SIDEWALL SHEET *	VIN SPECIFIC	VIN SPECIFIC
2	BASE RAIL	1 PER SIDE	7008 ALUMINUM EXTRUSION
3	RUB RAIL (BUB TRIM)	1 PER SIDE	5065 ALUMINUM EXTRUSION
4	3/16 x 3/8 ALUMINUM BRAZIER RIVET	VIN SPECIFIC	F0200045
5	3/8 - 16 X 1 S/S 18-8 TRUSS	VIN SPECIFIC	F0200053
6	3/8 - 16 CASE HARDENED STEEL HEX SERRATED FLANGE NUT	VIN SPECIFIC	F0200054
7	1/4 MAGNA-LOK STEEL BLIND FASTENER	VIN SPECIFIC	F0200021
8	1/4 MAGNA-LOK STEEL BLIND FASTENER	1 PER SIDE - BOTTOM	F0200020
9	1/4 HUCK PIN - LOCK BOLT	VIN SPECIFIC	F0200024
10	1/4 HUCK C6L LOCK BOLT COLLAR	VIN SPECIFIC	F0200025
11	1/4-20 x 13/16 GR5 TORX BOLT	1 PER SIDE - TOP	F0200008
12	1/4 HUCK PIN - LOCK BOLT	VIN SPECIFIC	F0200024
13	1/4 HUCK C6L LOCK BOLT COLLAR	VIN SPECIFIC	F0200025
14	8-18 x 1 S/S T.410 PAN PHIL 2PT DRILL SCREW W/ BI-WAX	VIN SPECIFIC	F0200035
15	FUEL FILL DISH	1	VIN SPECIFIC
16	RED CLEARANCE LIGHT & GROMMET	1 EA - IN CORNER	S37-RRS9V-1

* PART WILL DIFFER DEPENDING ON WIDE BODY & NARROW BODY WIDTH AND / OR HEIGHT

84T x 96W

SIDEWALL INTERIOR PARTS



ITEM	DESCRIPTION	QTY	PART NUMBER
1	48" WIDE ALUMINUM SIDEWALL SHEET *	VIN SPECIFIC	VIN SPECIFIC
2	BASE RAIL	1 PER SIDE	7008 ALUMINUM EXTRUSION
3	SIDEWALL BOTTOM ANGLE	1 PER SIDE	7009 ALUMINUM EXTRUSION
4	Z-POST *	VIN SPECIFIC	VIN SPECIFIC
5	HAT SECTION SIDEWALL STUD *	VIN SPECIFIC	VIN SPECIFIC
6	SIDEWALL TOP ANGLE	1 PER SIDE	7004 ALUMINUM EXTRUSION

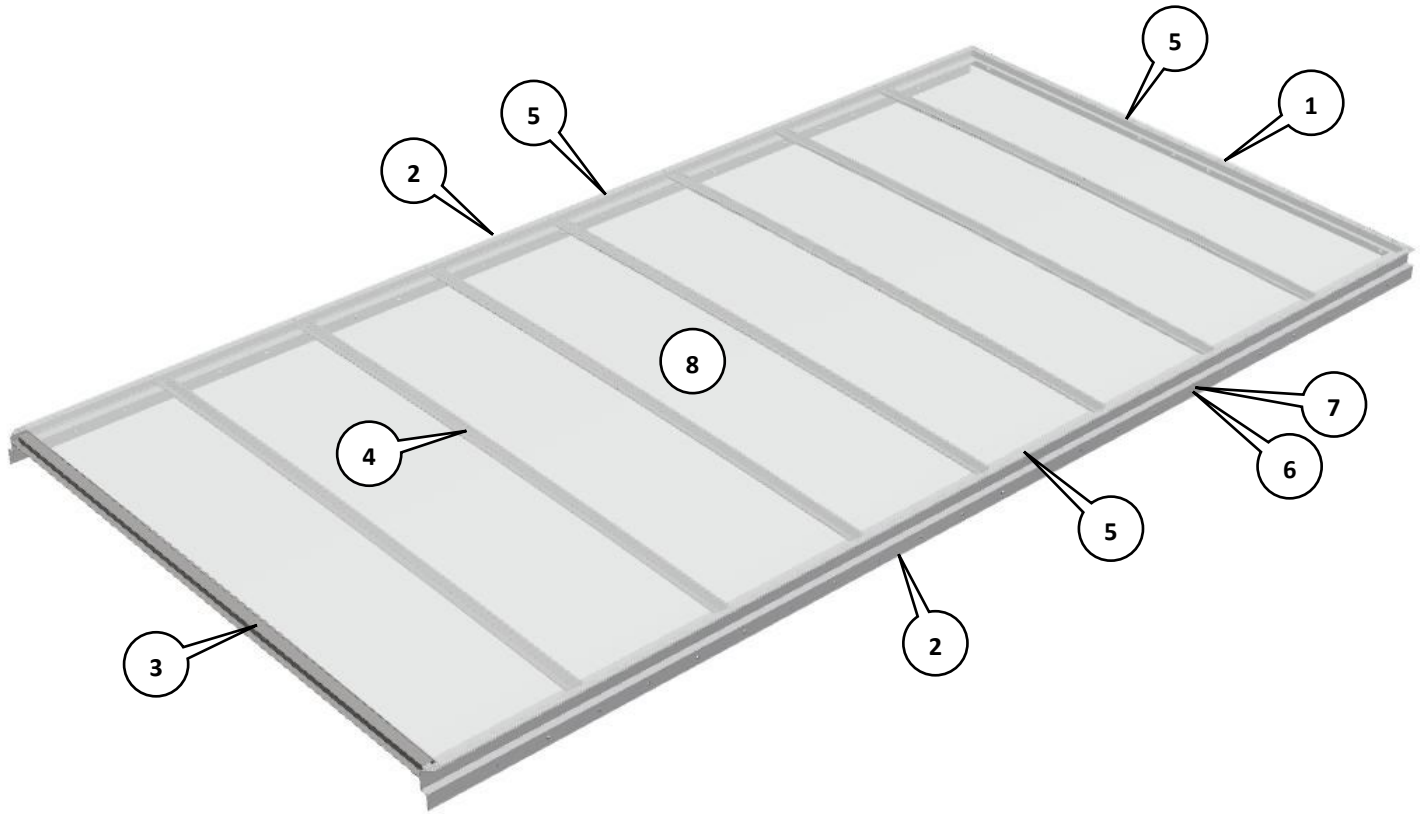
* PART WILL DIFFER DEPENDING ON WIDE BODY & NARROW BODY WIDTH AND / OR HEIGHT

ROCKPORT ALUMINUM SHEET & POST - CUTAWAY



84T x 96W

ROOF PARTS



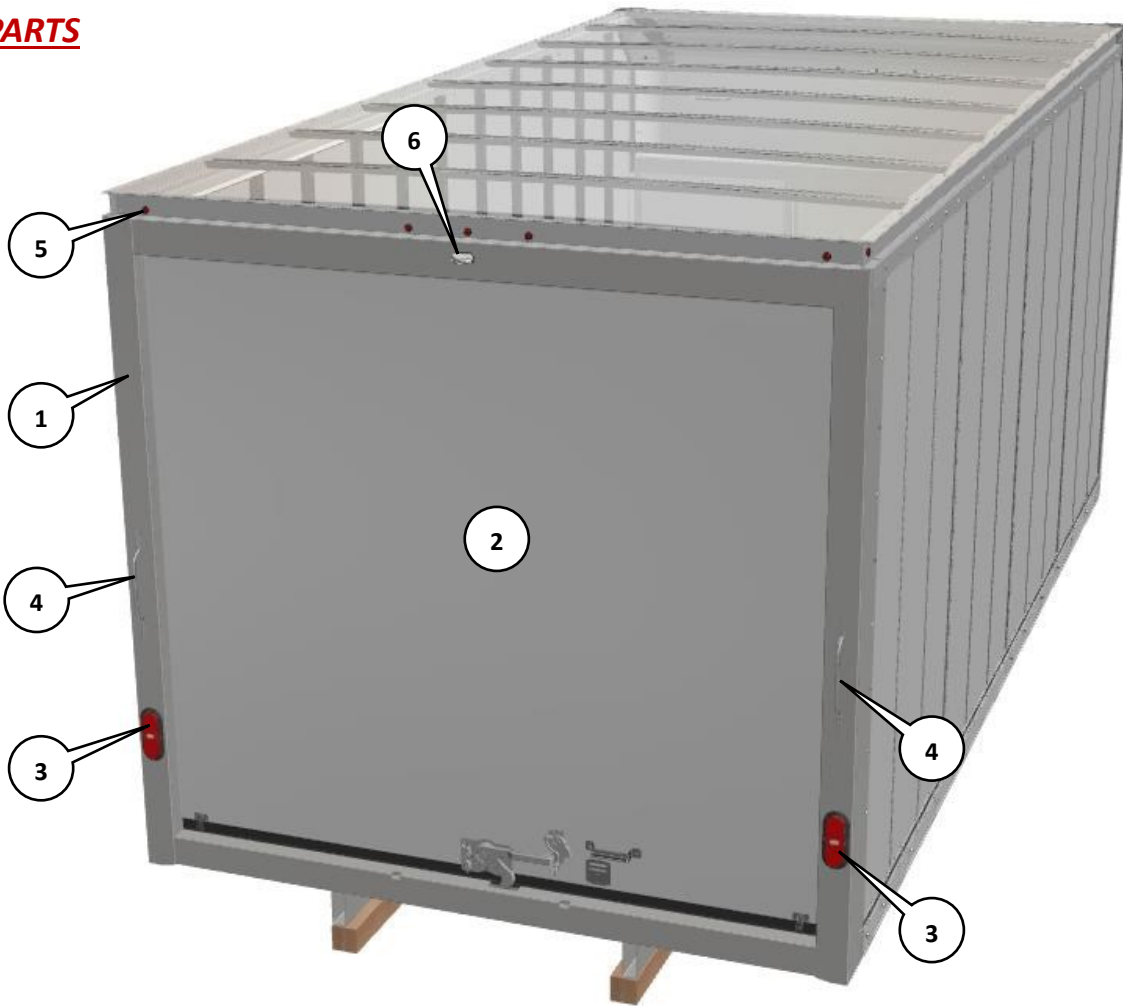
ITEM	DESCRIPTION	QTY	PART NUMBER
1	REAR ROOF CHANNEL *	1 - VIN SPECIFIC	7001 ALUMINUM EXTRUSION
2	SIDE ROOF RAIL	2	7005 ALUMINUM EXTRUSION
3	FRONT ROOF BOW *	1 - VIN SPECIFIC	VIN SPECIFIC
4	ANTI-SNAG ROOF BOW *	VIN SPECIFIC	VIN SPECIFIC
5	3/16 x 1/2 ALUMINUM BRAZIER RIVET	VIN SPECIFIC	F0200044
6	1/4 HUCK PIN - LOCK BOLT	VIN SPECIFIC	F0200024
7	1/4 HUCK C6L LOCK BOLT COLLAR	VIN SPECIFIC	F0200025
8	ROOF SHEET - TRANSLUSCENT OR ALUMINUM *	VIN SPECIFIC	VIN SPECIFIC

* PART MAY DIFFER DEPENDING ON BODY WIDTH AND / OR HEIGHT

ROCKPORT ALUMINUM SHEET & POST - CUTAWAY

84T x 96W

REAR PARTS



ITEM	DESCRIPTION	QTY	PART NUMBER
1	REAR STRUCTURE *	VIN SPECIFIC	VIN SPECIFIC
2	REAR ROLL-UP DOOR *	VIN SPECIFIC	VIN SPECIFIC
3	STOP/TAIL/TURN LED *	2	T70-RWSB-1
4	GRAB HANDLE	2	80202
5	RED CLEARANCE LIGHT & GROMMET	5	S37-RRS9V-1
6	REAR BACK UP CAMERA	1	VIN SPECIFIC

* PART WILL DIFFER DEPENDING ON WIDE BODY & NARROW BODY WIDTH AND / OR HEIGHT