

ROCKPORT

COMMERCIAL VEHICLES

WORKPORT



FOREST RIVER
TRUCK

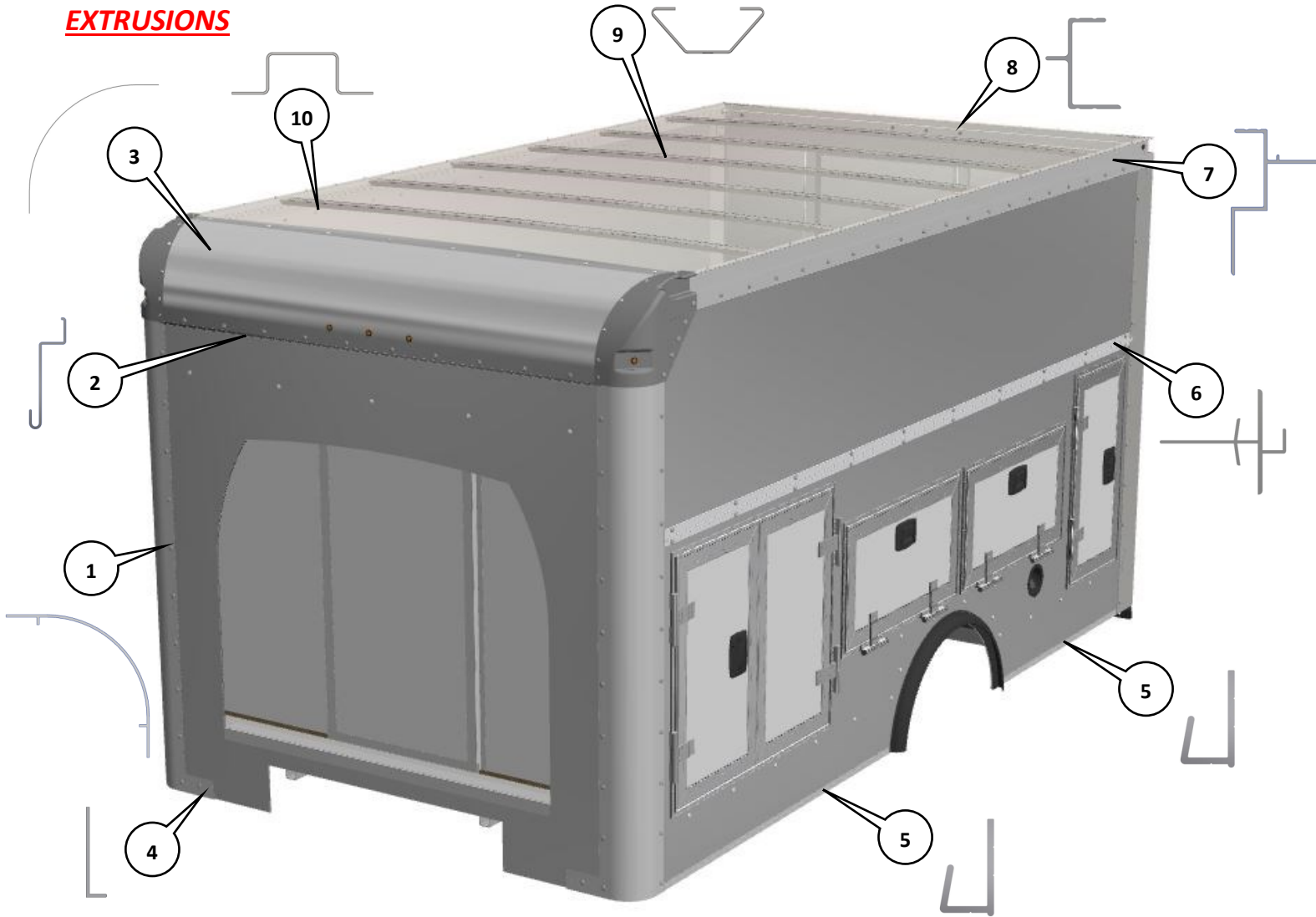
ROCKPORTTRUCKS.COM

WORKPORT RIVERPLATE - CUTAWAY

78T x 96W



EXTRUSIONS



ITEM	DESCRIPTION	QTY	PART NUMBER
1	FRONT CORNER POST *	2	7003 ALUMINUM EXTRUSION
2	FRONT RADIUS DRIP RAIL *	1	7012 ALUMINUM EXTRUSION
3	12" FRONT RADIUS *	1	A0200005
4	FRONT WALL CORNER L-ANGLE	2	7006 ALUMINUM EXTRUSION
5	SIDEWALL BOTTOM END CAP	4	7015 ALUMINUM EXTRUSION
6	WORKPORT SIDEWALL DRIP RAIL	2	5156 ALUMINUM EXTRUSION
7	ROOF TOP RAIL - SIDE	2	7005 ALUMINUM EXTRUSION
8	ROOF TOP RAIL - REAR *	1	7001 ALUMINUM EXTRUSION
9	ROOF BOW *	VIN SPECIFIC	VIN SPECIFIC
10	FRONT ROOF BOW *	1	VIN SPECIFIC

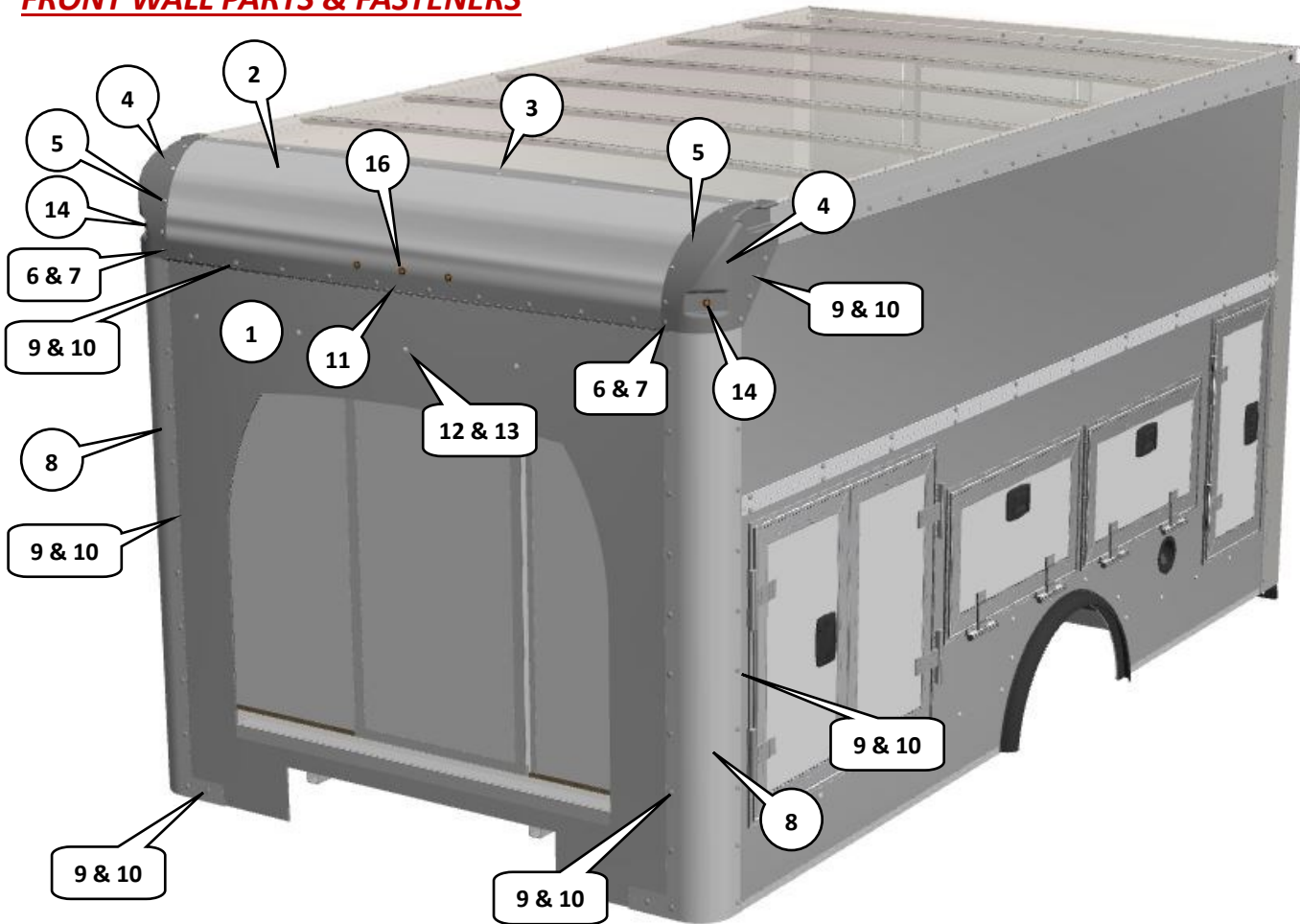
* PART WILL DIFFER DEPENDING ON WIDE BODY & NARROW BODY WIDTH , LENGTH OR HEIGHT

WORKPORT RIVERPLATE - CUTAWAY

78T x 96W



FRONT WALL PARTS & FASTENERS



ITEM	DESCRIPTION	QTY	PART NUMBER
1	FRONT WALL PANEL *	1	VIN SPECIFIC
2	FRONT WALL TOP RADIUS *	1	A0200005
3	3/16 POP RIVET ALUM .250 - .500 GRIP RANGE	8	F0200006
4	ROOF CORNER CAP - LEFT & RIGHT *	1 PAIR	P0200017 & 18
5	1/4 x 3/4 MAGNA-LOK	10 *	F0200059
6	1/4-20 x 13/16 BOLT	6	F0200008
7	1/4 -20 STEEL T-NUT	2	F0200002
8	RADIUS CORNER POST *	2	7003 ALUMINUM EXTRUSION
9	1/4-20 X 5/16 RIBBED T-NUT - GRAY	50	F2100217
10	1/4-20 X 310/330 TRUSS WASHER	50	F2100218
11	FRONT DRIP RAIL *	1	7012 ALUMINUM EXTRUSION
12	1/4-20-X 5/16 RIBBED T-NUT - WHITE - (SET-BACK WALL)	5	F1500183
13	1/4-20 X 310/330 TRUSS WASHER - (SET-BACK WALL)	5	F2100218
14	AMBER CLEARANCE LIGHT & GROMMET	5	S37-AAS9V-1

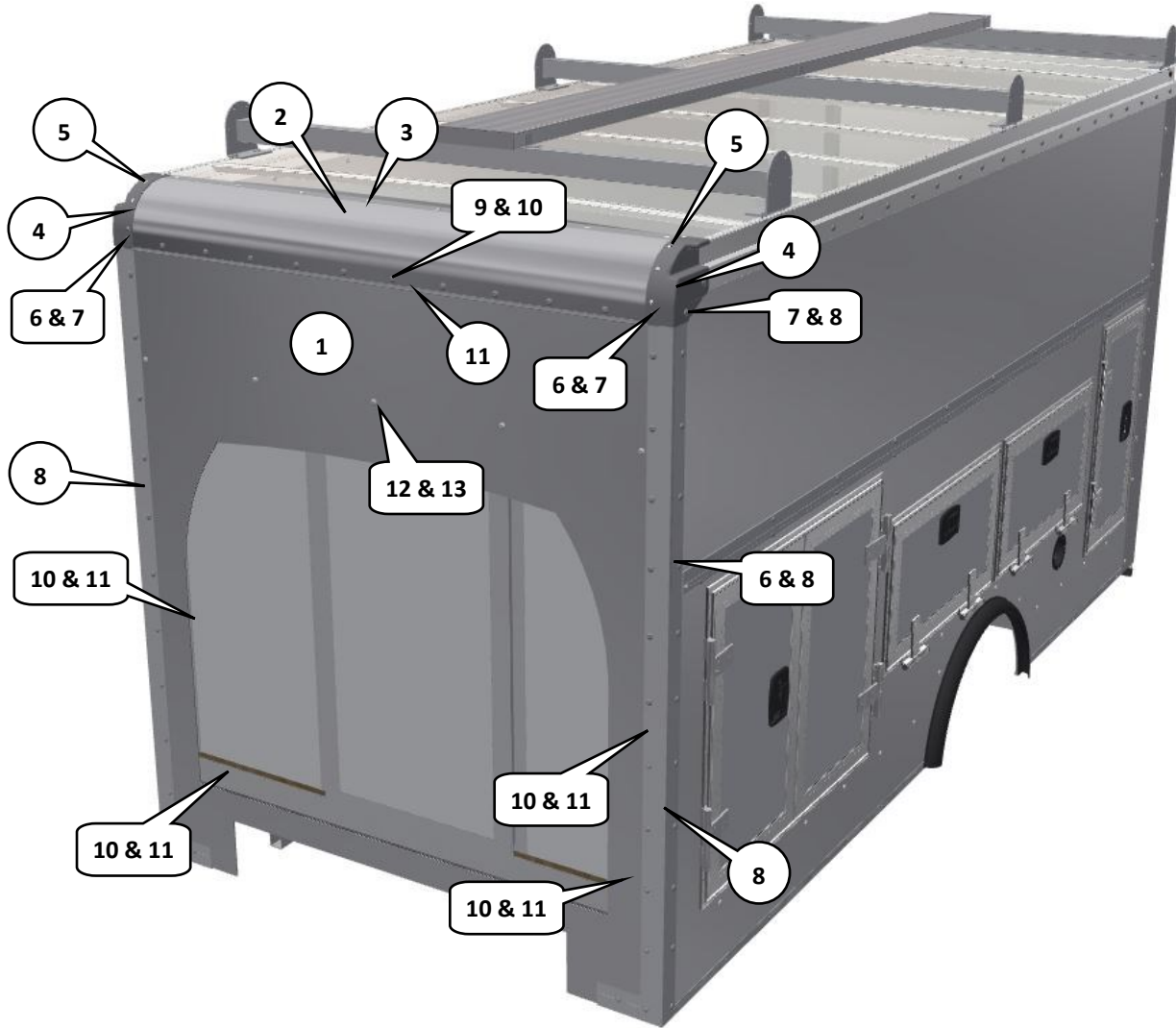
* PART WILL DIFFER DEPENDING ON WIDE BODY & NARROW BODY WIDTH , LENGTH OR HEIGHT

WORKPORT RIVERPLATE - CUTAWAY

78T x 80W



FRONT WALL PARTS & FASTENERS



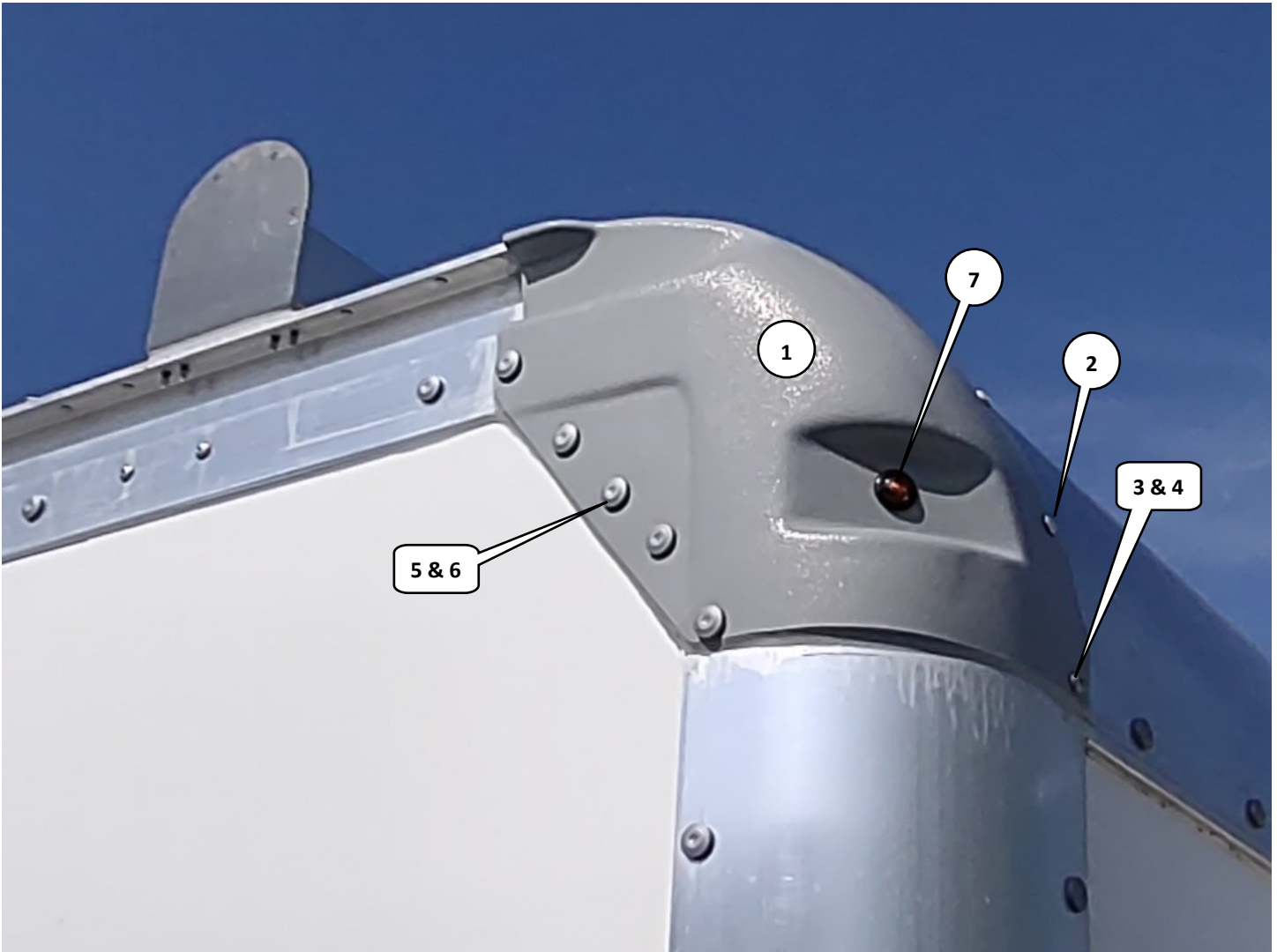
ITEM	DESCRIPTION	QTY	PART NUMBER
1	FRONT WALL PANEL *	1	VIN SPECIFIC
2	FRONT WALL TOP RADIUS *	1	A0200006
3	3/16 POP RIVET ALUM .250 - .500 GRIP RANGE	8	F0200006
4	ROOF CORNER CAP - LEFT & RIGHT *	1 PAIR	P0200017 & 18
5	1/4 x 3/4 MAGNA-LOK	10 *	F0200059
6	1/4-20 x 13/16 BOLT	6	F0200008
7	1/4 -20 STEEL T-NUT	2	F0200002
8	RADIUS CORNER POST *	2	7003 ALUMINUM EXTRUSION
9	1/4-20 X 5/16 RIBBED T-NUT - GRAY	50	F2100217
10	1/4-20 X 310/330 TRUSS WASHER	50	F2100218
11	FRONT DRIP RAIL *	1	7012 ALUMINUM EXTRUSION
12	1/4-20-X 5/16 RIBBED T-NUT - WHITE - (SET-BACK WALL)	5	F1500183
13	1/4-20 X 310/330 TRUSS WASHER - (SET-BACK WALL)	5	F2100218
14	AMBER CLEARANCE LIGHT & GROMMET	5	S37-AAS9V-1

* PART WILL DIFFER DEPENDING ON WIDE BODY & NARROW BODY WIDTH , LENGTH OR HEIGHT

WORKPORT RIVERPLATE - CUTAWAY

78T x 96W

EXTRUSIONS



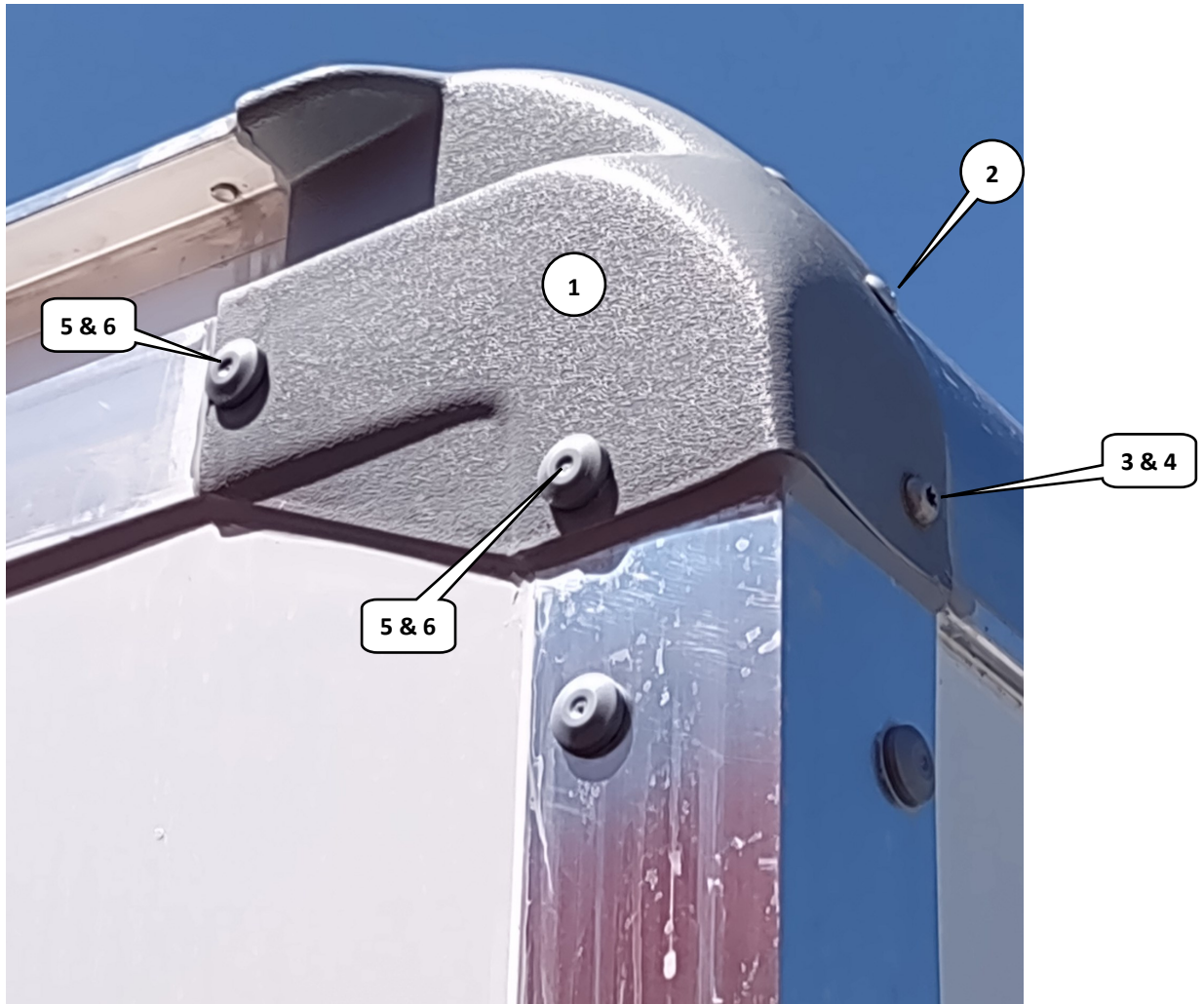
ITEM	DESCRIPTION	QTY	PART NUMBER
1	ROOF CORNER CAP - LEFT & RIGHT *	1 PAIR	P0200017 & 18
2	1/4 x 3/4 MAGNA-LOK	5 PER CAP	F0200059
3	1/4-20 x 13/16 BOLT	2 PER CAP	F0200008
4	1/4 -20 STEEL T-NUT	1 PER CAP	F0200002
5	1/4-20 X 5/16 RIBBED T-NUT - GRAY	5 PER CAP	F2100217
6	1/4-20 X 310/330 TRUSS WASHER	5 PER CAP	F2100218
7	AMBER CLEARANCE LIGHT & GROMMET	1 PER CAP	S37-AAS9V-1

* PART WILL DIFFER DEPENDING ON WIDE BODY & NARROW BODY WIDTH , LENGTH OR HEIGHT

WORKPORT RIVERPLATE - CUTAWAY

78T x 80W-90W

FRONT WALL PARTS & FASTENERS - FRONT CORNER



ITEM	DESCRIPTION	QTY	PART NUMBER
1	ROOF CORNER CAP - LEFT & RIGHT *	1 PAIR	P0200037 & 67
2	1/4 x 3/4 MAGNA-LOK	4 PER CAP	F0200059
3	1/4-20 x 13/16 BOLT	3 PER CAP	F0200008
4	1/4 -20 STEEL T-NUT	3 PER CAP	F0200002
5	1/4-20 X 5/16 RIBBED T-NUT - GRAY	2 PER CAP	F2100217
6	1/4-20 X 310/330 TRUSS WASHER	2 PER CAP	F2100218

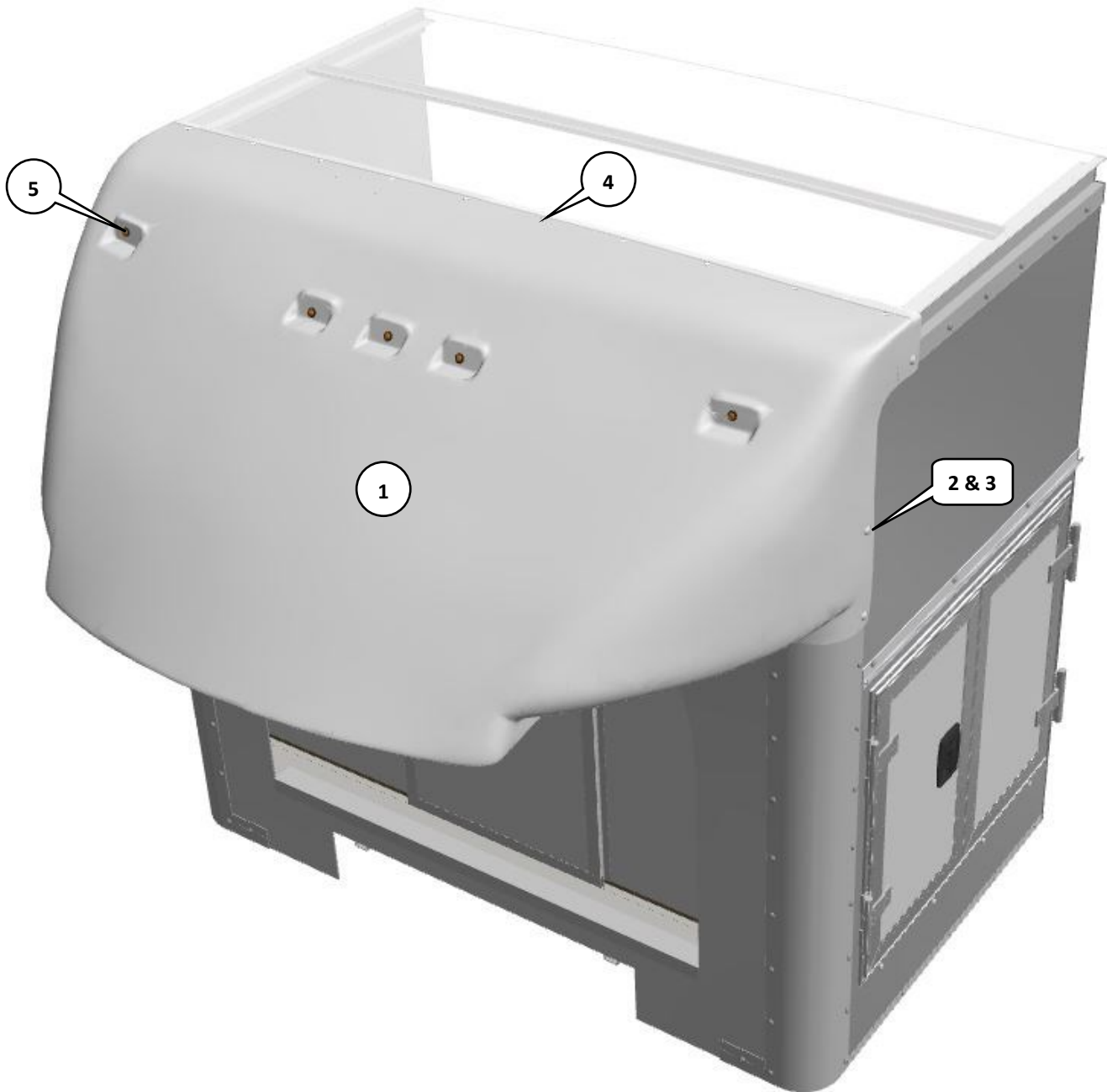
* PART WILL DIFFER DEPENDING ON WIDE BODY & NARROW BODY WIDTH , LENGTH OR HEIGHT

WORKPORT RIVERPLATE - CUTAWAY

78T x 96W



ROCKTOP & FASTENERS



ITEM	DESCRIPTION	QTY	PART NUMBER
1	FIBERGLASS ROCKTOP *	1	VIN SPECIFIC
2	5/16-18 x 1/2 WHITE ENCAPSULATED T-NUT	6	F0400109
3	5/16 - 18 X 3/4 STEEL ROUND WASHER 6-LOBE M/S ZINC W/ PRECOTE 80	6	F0200077
4	3/16 POP RIVET ALUM .500 - .781 GRIP RANGE	9	F0200007 - WIDE BODY
5	AMBER CLEARANCE LIGHT & GROMMET	5	S37-AAS9V-1

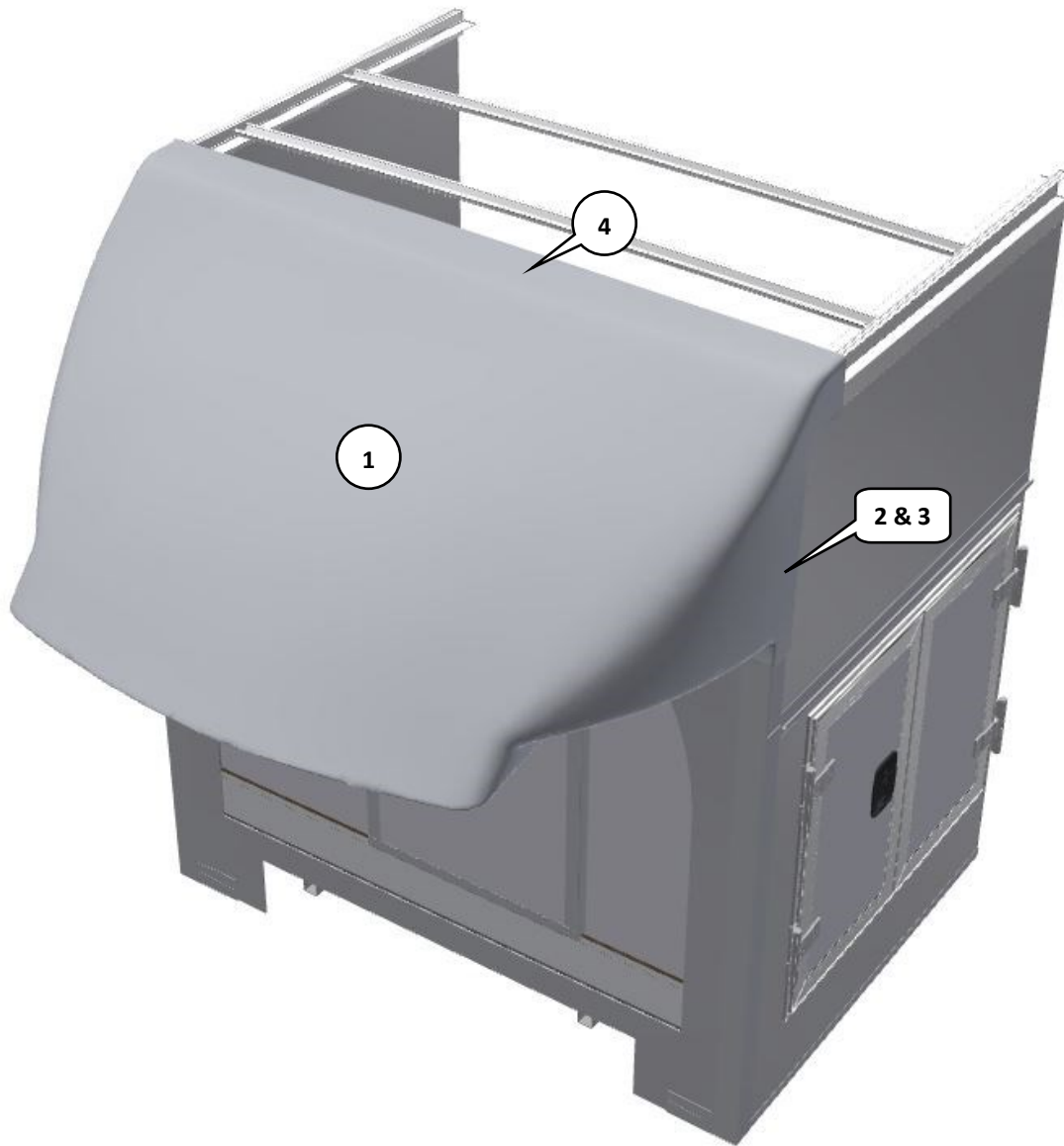
* PART WILL DIFFER DEPENDING ON WIDE BODY & NARROW BODY WIDTH , LENGTH OR HEIGHT

WORKPORT RIVERPLATE - CUTAWAY

78T x 80W-90W



ROCKTOP & FASTENERS



ITEM	DESCRIPTION	QTY	PART NUMBER
1	FIBERGLASS ROCKTOP *	1	VIN SPECIFIC
2	5/16-18 x 1/2 WHITE ENCAPSULATED T-NUT	6	F0400109
3	5/16 - 18 X 3/4 STEEL ROUND WASHER 6-LOBE M/S ZINC W/ PRECOTE 80	6	F0200077
4	3/16 POP RIVET ALUM .876 - 1.000 GRIP RANGE	8	F0200005 - NARROW BODY

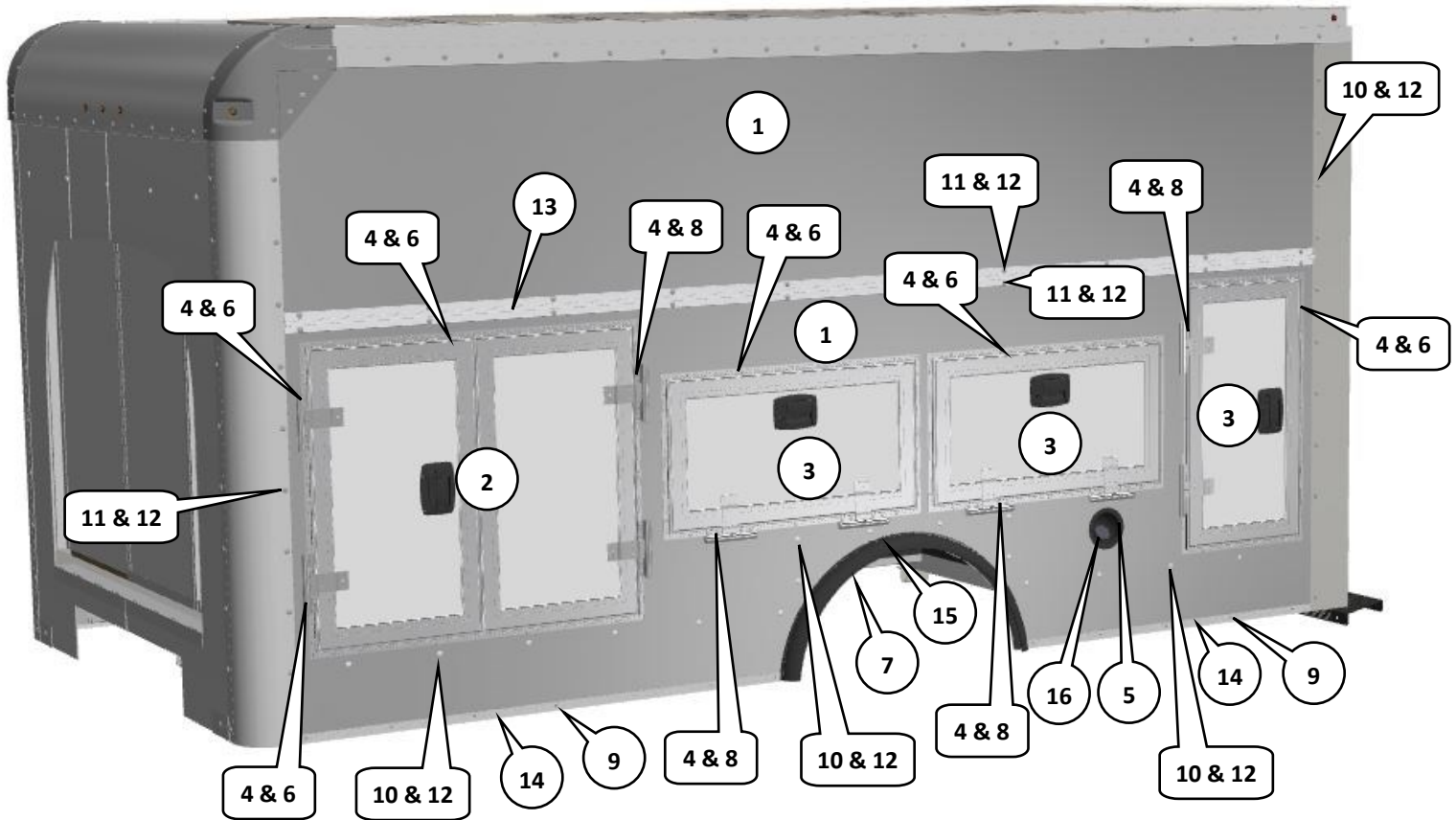
* PART WILL DIFFER DEPENDING ON WIDE BODY & NARROW BODY WIDTH , LENGTH OR HEIGHT

WORKPORT RIVERPLATE - CUTAWAY

78T x 96W



SIDEWALL PARTS & FASTENERS



ITEM	DESCRIPTION	QTY	PART NUMBER
1	RIVERPLATE SIDEWALL SHEET *	VIN SPECIFIC	VIN SPECIFIC
2	1550 COMPARTMENT DOOR *	VIN SPECIFIC	D1600551
3	1550 COMPARTMENT DOOR *	VIN SPECIFIC	D1600549
4	1/4 x 20 STEEL BASE TEE NUT ZINC (DOOR FRAME & 1ST DBL DOOR HINGE)	VIN SPECIFIC	F0200002
5	8-18 x 1 S/S T.410 PAN PHIL 2PT DRILL SCREW W/ BI-WAX	VIN SPECIFIC	F0200035
6	1/4-20 x 1/2 GR5 TORX FRP BOLT W/CAD SEAL (DOOR FRAME & 1ST DBL DOOR HINGE)	VIN SPECIFIC	F0200043
7	#8 x 3/4 STEEL MODIFIED TRUSS #2 POINT SELF DRILLING PHIL BLACK ZINC	VIN SPECIFIC	F0200076
8	1/4-20 x 1-3/4 STEEL PNHD 6-LOBE M/S TPR WHITE WASHER (REMAINING DOOR HINGES)	VIN SPECIFIC	F0300096
9	#8 X 1/2 STEEL UNSLOTTED HWH S/D/S #2 SCREW	VIN SPECIFIC	F0400124
10	1/4-20 x 5/16 GR 5.1 RIBBED T-NUT ENCAPSULATED WHITE	VIN SPECIFIC	F1500183
11	1/4-20-X 5/16 GR 5.1 RIBBED T-NUT ENCAPSULATED GRAY	VIN SPECIFIC	F2100217
12	1/4-20 x .310/.330 6- LOBE GR 5.1 TRUSS WASHER ZC PATCH	VIN SPECIFIC	F2100218
13	WORKPORT SIDEWALL DRIP RAIL	1 EA SIDE	5156 ALUMINUM EXTRUSION
14	SIDEWALL BOTTOM END CAP	2 EA SIDE	7015 ALUMINUM EXTRUSION
15	WHEEL WELL RUBBER TRIM	1 EA SIDE	F100504900 GSX 178 BLK
16	FUEL FILL DISH	1	VIN SPECIFIC

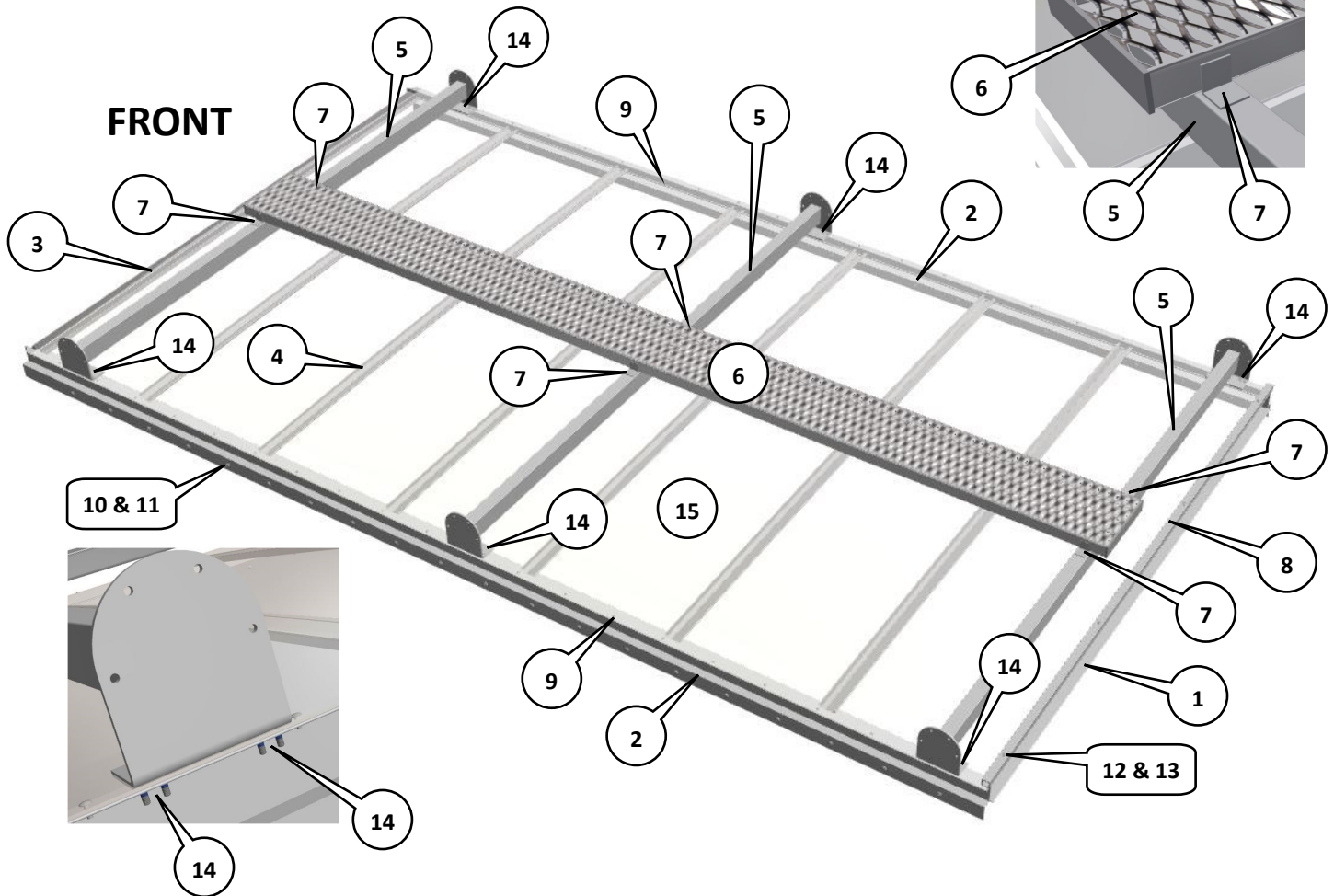
* PART WILL DIFFER DEPENDING ON WIDE BODY & NARROW BODY WIDTH , LENGTH OR HEIGHT

WORKPORT RIVERPLATE - CUTAWAY

78T x 96W



ROOF PARTS & FASTENERS



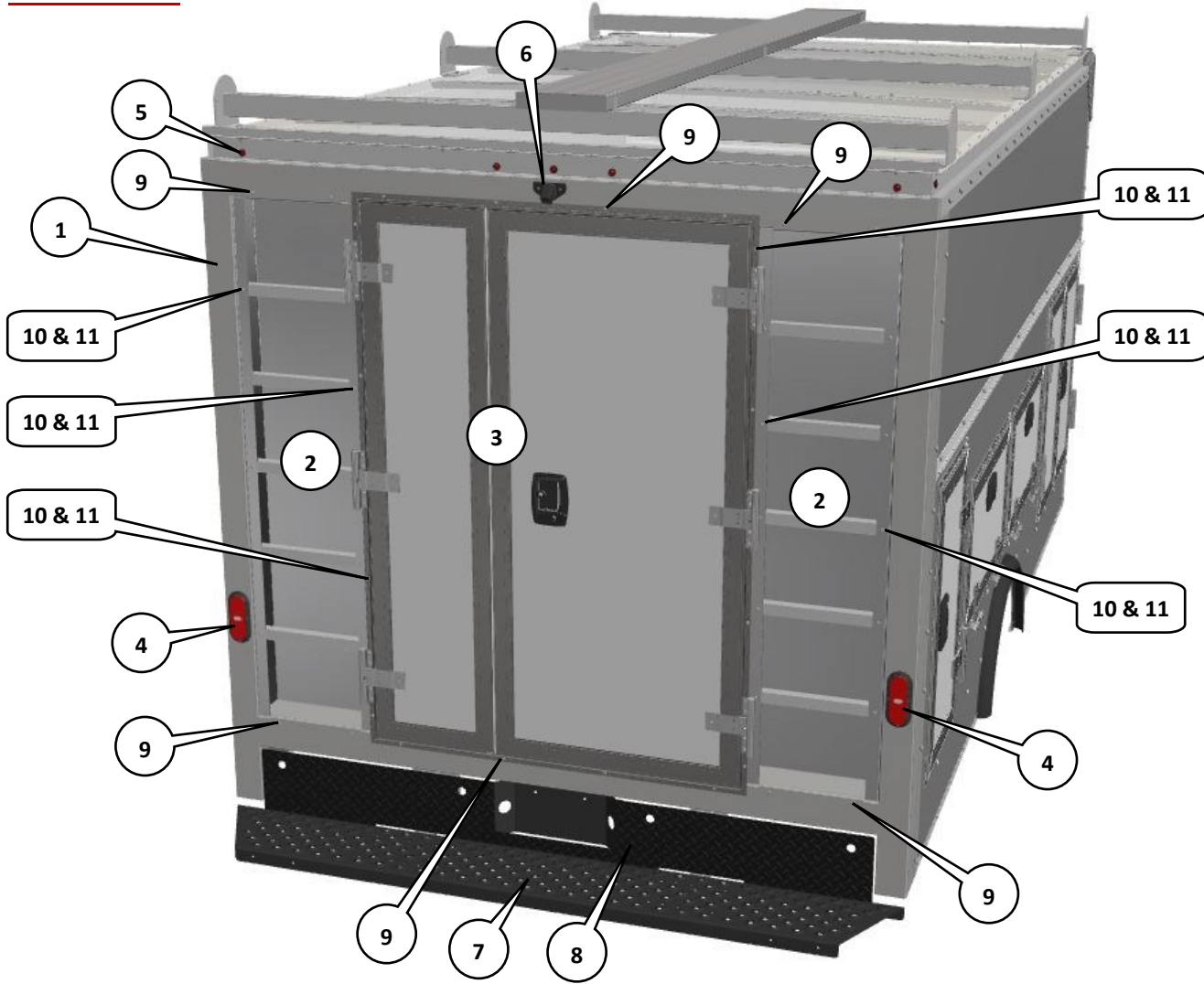
ITEM	DESCRIPTION	QTY	PART NUMBER
1	REAR ROOF CHANNEL *	1	7001 ALUMINUM EXTRUSION
2	SIDE ROOF RAIL *	2	7005 ALUMINUM EXTRUSION
3	FRONT ROOF BOW *	1	VIN SPECIFIC
4	ANTI-SNAG ROOF BOW *	VIN SPECIFIC	VIN SPECIFIC
5	LADDER RACK WELDMENT *	VIN SPECIFIC	VIN SPECIFIC
6	2 x 11.75 ALUMINUM GRIP STRUT *	VIN SPECIFIC	VIN SPECIFIC
7	.125 X 1.5 X 1.5 X 1.5 ANGLE	2 PER LADDER RACK WELDMENT	VIN SPECIFIC
8	.125" x 1.125" SQ. ALUM. TUBE	VIN SPECIFIC	4011 ALUMINUM EXTRUSION
9	3/16 x 1/2 ALUMINUM BRAZIER RIVET (AROUND ROOF SHEET)	VIN SPECIFIC	F0200044
10	1/4-20-X 5/16 GR 5.1 RIBBED T-NUT ENCAPSULATED GRAY	VIN SPECIFIC	F2100217
11	1/4-20 x .310/.330 6- LOBE GR 5.1 TRUSS WASHER ZC PATCH	VIN SPECIFIC	F2100218
12	1/4-20 x 1-3/4 STEEL PNHD 6-LOBE M/S TPR WHITE WASHER	4	F0300096
13	1/4 x 20 STEEL BASE TEE NUT ZINC	4	F0200002
14	1/4-20 x 1 STEEL PAN HD TORX T/F Z/P W/PLASTISOL	8 PER LADDER RACK WELDMENT	F0200034
15	ROOF SHEET - TRANSLUSCENT OR ALUMINUM *	1	VIN SPECIFIC

* PART WILL DIFFER DEPENDING ON WIDE BODY & NARROW BODY WIDTH , LENGTH OR HEIGHT

WORKPORT RIVERPLATE - CUTAWAY

78T x 96W

REAR PARTS



ITEM	DESCRIPTION	QTY	PART NUMBER
1	REAR STRUCTURE *	VIN SPECIFIC	VIN SPECIFIC
2	LADDER INSERT ALUMINUM WELDMENT *	2	VIN SPECIFIC
3	1550 SERIES 70-30 DOUBLE DOOR *	1	VIN SPECIFIC
4	STOP/TAIL/TURN LED	2	T70-RWSB-1
5	RED CLEARANCE LIGHT & GROMMET	5	S37-RRS9V-1
6	REAR BACK UP CAMERA	1	VIN SPECIFIC
7	POOCHED BUMPER	1	VIN SPECIFIC
8	DIAMONDPLATE BACKSPLASH ASSEMBLY	1	VIN SPECIFIC
9	1/4-20 x 1 STEEL PAN HD TORX T/F Z/P W/PLASTISOL	VIN SPECIFIC	F0200034
10	1/4-20 HEX NYLON INSERT LOCK NUT - STEEL - ZINC FINISH	VIN SPECIFIC	F0300095
11	1/4-20 x 1-3/4 STEEL PNHD 6-LOBE M/S TPR WHITE WASHER	VIN SPECIFIC	F0300096

No 9 ARE IN THE TOP & BOTTOM OF THE DOOR FRAME & REAR INSERTS

No 10-11 ARE IN THE SIDES OF THE DOOR FRAME & SIDES OF THE INSERTS

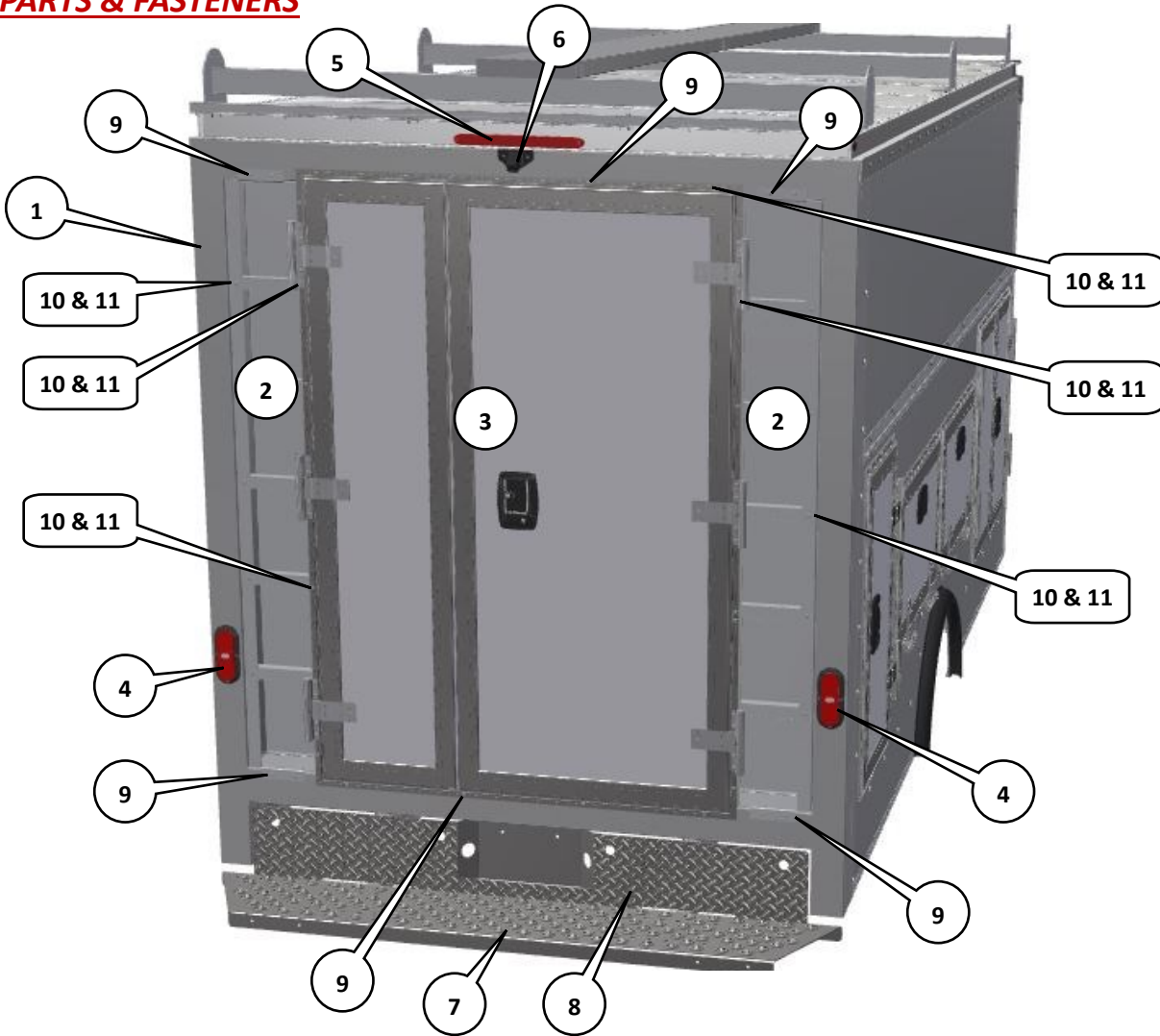
* PART WILL DIFFER DEPENDING ON WIDE BODY & NARROW BODY WIDTH , LENGTH OR HEIGHT

WORKPORT RIVERPLATE - CUTAWAY

78T x 80W



REAR PARTS & FASTENERS



ITEM	DESCRIPTION	QTY	PART NUMBER
1	REAR STRUCTURE *	VIN SPECIFIC	VIN SPECIFIC
2	LADDER INSERT ALUMINUM WELDMENT *	2	VIN SPECIFIC
3	1550 SERIES 70-30 DOUBLE DOOR *	1	VIN SPECIFIC
4	STOP/TAIL/TURN LED	2	T70-RWSB-1
5	RED LOW PROFILE THIRD BRAKE LIGHT	1	T10-RR00-1
6	REAR BACK UP CAMERA	1	VIN SPECIFIC
7	POOCHED BUMPER	1	VIN SPECIFIC
8	DIAMONDPLATE BACKSPLASH ASSEMBLY	1	VIN SPECIFIC
9	1/4-20 x 1 STEEL PAN HD TORX T/F Z/P W/PLASTISOL	VIN SPECIFIC	F0200034
10	1/4-20 HEX NYLON INSERT LOCK NUT - STEEL - ZINC FINISH	VIN SPECIFIC	F0300095
11	1/4-20 x 1-3/4 STEEL PNHD 6-LOBE M/S TPR WHITE WASHER	VIN SPECIFIC	F0300096

No 9 ARE IN THE TOP & BOTTOM OF THE DOOR FRAME & REAR INSERTS
 No 10-11 ARE IN THE SIDES OF THE DOOR FRAME & SIDES OF THE INSERTS

* PART WILL DIFFER DEPENDING ON WIDE BODY & NARROW BODY WIDTH , LENGTH OR HEIGHT